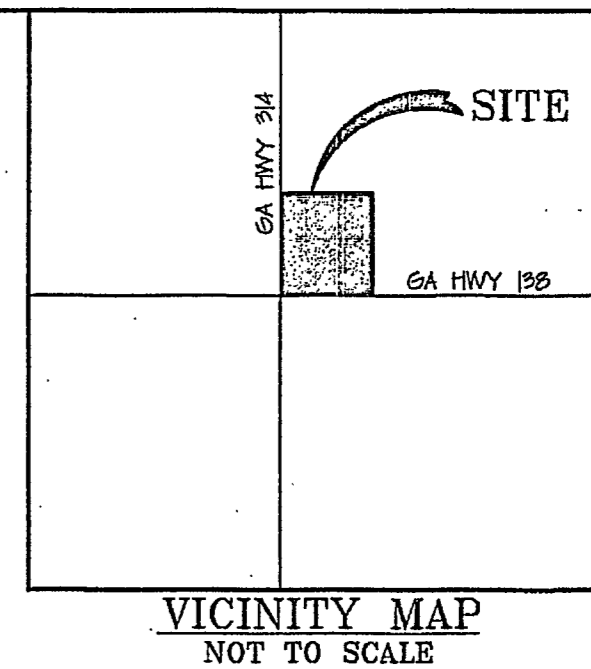


SITE DEVELOPMENT DRAWINGS FOR PIT STOP GEORGIA HIGHWAY 138 AT GEORGIA HIGHWAY 314



**BRUNDAGE
ENGINEERING, INC.**
P.O. BOX 1926
FAYETTEVILLE,
GA. 30214
770-719-0433

SITE
DEVELOPMENT
DRAWINGS
FOR

PIT STOP

LOCATED IN
L.L. 186
OF THE 13th DISTRICT
CLAYTON COUNTY,
GEORGIA

- NOTES:**
- OWNER/DEVELOPER: THE PROPERTIES, LLLP
100 PETRAL POINT
PEACHTREE CITY, GA. 30269
770-481-9997
CONTACT: MIKE HYDE
 - ZONING: NB AND SB
MINIMUM LOT AREA - 10,000 SF
MINIMUM LOT WIDTH - 100
FRONT SETBACK - 50
REAR SETBACK - 0
SIDE SETBACK - 0
HEIGHT LIMIT - 25' (NB), 75' (SB)
 - BOUNDARY AND TOPOGRAPHIC SURVEY BY W.S. BODKIN SURVEYING, LLC.
 - THIS PROPERTY DOES NOT INCLUDE A FLOOD HAZARD AREA ACCORDING TO FIRM NO. 130241 0016 C. DATED NOV. 6, 1991.
 - ACREAGE OF SITE - 142 AC.
 - TAX ID NUMBER - 191866 8007
 - REQUIRED PARKING-
GASOLINE SERVICE STATION - 2 SPACES PER GAS PUMP PLUS 3 SPACES FOR EACH SERVICE BAY OR SIMILAR FACILITY PLUS 1 SPACE FOR EACH ATTENDANT
6 PUMP ISLANDS X 2 SPACES/PUMP = 12 SPACES (THESE SPACES ARE LOCATED ADJACENT TO EACH PUMP ISLAND AND ARE NOT INCLUDED IN THE FOLLOWING CALCULATIONS)
1 FUELING ATTENDANT X 1 SPACE/ATTENDANT = 1 SPACE

RETAIL STORE UPPER LEVEL - 1 SPACE PER 300 SQ. FT. OF GROSS FLOOR AREA
3500 SQ. FT. X 1 SPACE/300 SQ. FT. = 12 SPACES

RETAIL STORE LOWER LEVEL - 1 SPACE PER 300 SQ. FT. OF GROSS FLOOR AREA
3500 SQ. FT. X 1 SPACE/300 SQ. FT. = 12 SPACES

TOTAL SPACES REQUIRED = 25 SPACES
TOTAL PARKING PROPOSED = 36 SPACES

HANDICAP SPACES REQUIRED = 2 SPACES
HANDICAP SPACES PROPOSED = 2 SPACES

LEGEND

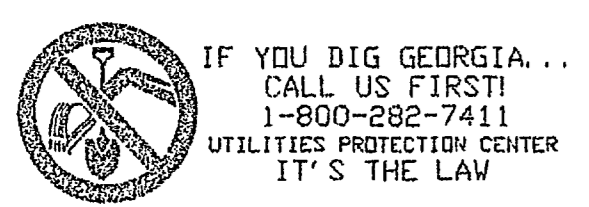
(Co)	CONSTRUCTION EXIT
(Fr)	FILTER RING
(Rd)	ROCK DAM
(Re)	RETAINING WALL
(Rt)	RETROFIT
(Sd)	SEDIMENT BARRIER
(Sdb)	TEMPORARY SEDIMENT BASIN
(St)	STORM DRAIN OUTLET PROTECTION
(Ds2)	DISTURBED AREA STABILIZATION (WITH TEMPORARY SEEDING)
(Ds3)	DISTURBED AREA STABILIZATION (WITH PERMANENT VEGETATION)

GENERAL LEGEND

---	E/P	EXISTING EDGE OF PAVEMENT
--- 930 ---		EXISTING CONTOUR
---	930	NEW CONTOUR
---	W	EXISTING WATER LINE
---	OHE	EXISTING OVERHEAD ELECTRIC LINE
→		DIRECTION OF TRAFFIC
→		PAINTED TRAFFIC ARROW
+		EXISTING SIGN
+		NEW SIGN
▲		EXISTING FIRE HYDRANT
⊕		RELOCATED FIRE HYDRANT
⊕	PP	EXISTING POWER/UTILITY POLE
⊕	CSP	CONCRETE STRAIN POLE
⊕	WSP	WOOD STRAIN POLE
⊕	GW	GY WIRE

SCHEDULE OF DRAWINGS

NO.	DRAWING
1	COVER
2	SITE AND WATER PLAN
3	GRADING PLAN/STORMWATER MANAGEMENT PLAN
4	EROSION AND SEDIMENTATION CONTROL PLAN
5	EROSION AND SEDIMENTATION CONTROL DETAILS
6	DETAILS
7	DETAILS
8	LANDSCAPE PLAN



NO.	REVISIONS	DATE

SHEET NO.
1
SHEET 1 OF 8

RELEASED FOR CONSTRUCTION
 FOR REVIEW ONLY

BRUNDAGE ENGINEERING, INC.
 P.O. BOX 1316
 FAYETTEVILLE, GA. 30214
 770-719-0433

VICINITY MAP
 NOT TO SCALE

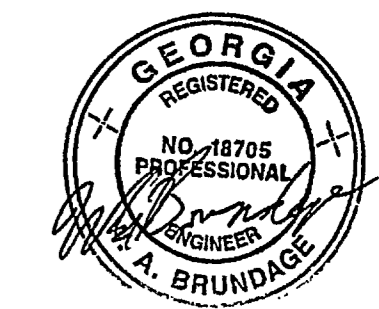
SITE DEVELOPMENT DRAWINGS FOR

PIT STOP

LOCATED IN
 L.L. 186
 OF THE 13th DISTRICT
 CLAYTON COUNTY,
 GEORGIA

DATE: JANUARY 18, 2005
 JOB NO.: 00027
 FILE NAME: PITSTOP2rev6
 SCALE: 1" = 20'
 SHEET TITLE:

SITE AND WATER PLAN

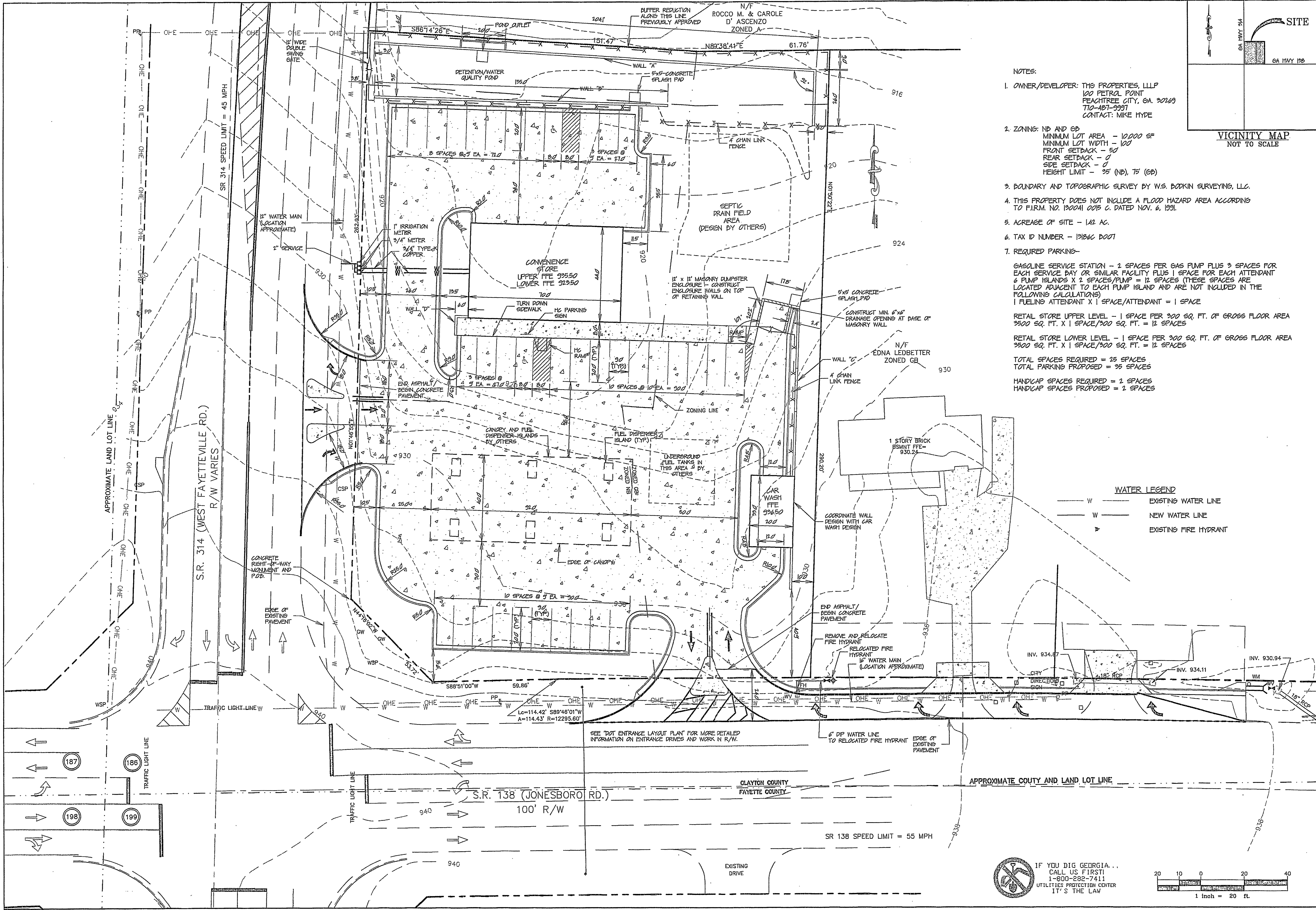


NO.	REVISIONS	DATE

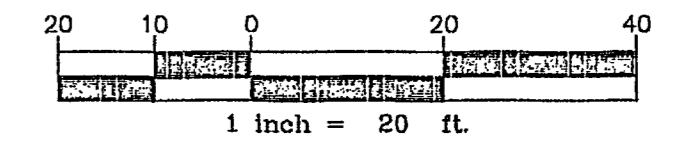
SHEET NO. **2**
 SHEET 2 OF 8
 RELEASED FOR CONSTRUCTION
 FOR REVIEW ONLY

- NOTES:
- OWNER/DEVELOPER: THE PROPERTIES, LLLP
 100 PETRAL POINT
 PEACHTREE CITY, GA. 30169
 770-487-9997
 CONTACT: MIKE HYDE
 - ZONING: ND AND GP
 MINIMUM LOT AREA - 10,000 SF
 MINIMUM LOT WIDTH - 100'
 FRONT SETBACK - 50'
 REAR SETBACK - 0'
 SIDE SETBACK - 0'
 HEIGHT LIMIT - 25' (ND), 75' (GP)
 - BOUNDARY AND TOPOGRAPHIC SURVEY BY W.S. BODKIN SURVEYING, LLC.
 - THIS PROPERTY DOES NOT INCLUDE A FLOOD HAZARD AREA ACCORDING TO FIRM NO. 1300A1 0215 C. DATED NOV. 6, 1991.
 - ACREAGE OF SITE - 1.82 AC.
 - TAX ID NUMBER - 191866 0001
 - REQUIRED PARKING-
 GASOLINE SERVICE STATION - 2 SPACES PER GAS PUMP PLUS 3 SPACES FOR EACH SERVICE BAY OR SIMILAR FACILITY PLUS 1 SPACE FOR EACH ATTENDANT 6 PUMP ISLANDS X 2 SPACES/PUMP = 12 SPACES (THESE SPACES ARE LOCATED ADJACENT TO EACH PUMP ISLAND AND ARE NOT INCLUDED IN THE FOLLOWING CALCULATIONS)
 1 FUELING ATTENDANT X 1 SPACE/ATTENDANT = 1 SPACE
 RETAIL STORE UPPER LEVEL - 1 SPACE PER 300 SQ. FT. OF GROSS FLOOR AREA 3500 SQ. FT. X 1 SPACE/300 SQ. FT. = 12 SPACES
 RETAIL STORE LOWER LEVEL - 1 SPACE PER 300 SQ. FT. OF GROSS FLOOR AREA 3500 SQ. FT. X 1 SPACE/300 SQ. FT. = 12 SPACES
 TOTAL SPACES REQUIRED = 25 SPACES
 TOTAL PARKING PROPOSED = 25 SPACES
 HANDICAP SPACES REQUIRED = 2 SPACES
 HANDICAP SPACES PROPOSED = 2 SPACES

WATER LEGEND
 — W — EXISTING WATER LINE
 — W — NEW WATER LINE
 — W — EXISTING FIRE HYDRANT



IF YOU DIG GEORGIA...
 CALL US FIRST!
 1-800-232-7411
 UTILITIES PROTECTION CENTER
 IT'S THE LAW



BRUNDAGE ENGINEERING, INC.
 P.O. BOX 1926
 FAYETTEVILLE, GA. 30214
 770-719-0439

SITE DEVELOPMENT DRAWINGS FOR

PIT STOP

LOCATED IN
 L.L. 186
 OF THE 13th DISTRICT
 CLAYTON COUNTY,
 GEORGIA

DATE: JANUARY 18, 2005
 JOB NO.: 00027
 FILE NAME: PISTOP2rev6
 SCALE: 1" = 20'

SHEET TITLE
GRADING/STORMWATER MANAGEMENT PLAN



NO.	REVISIONS	DATE

SHEET NO.

3

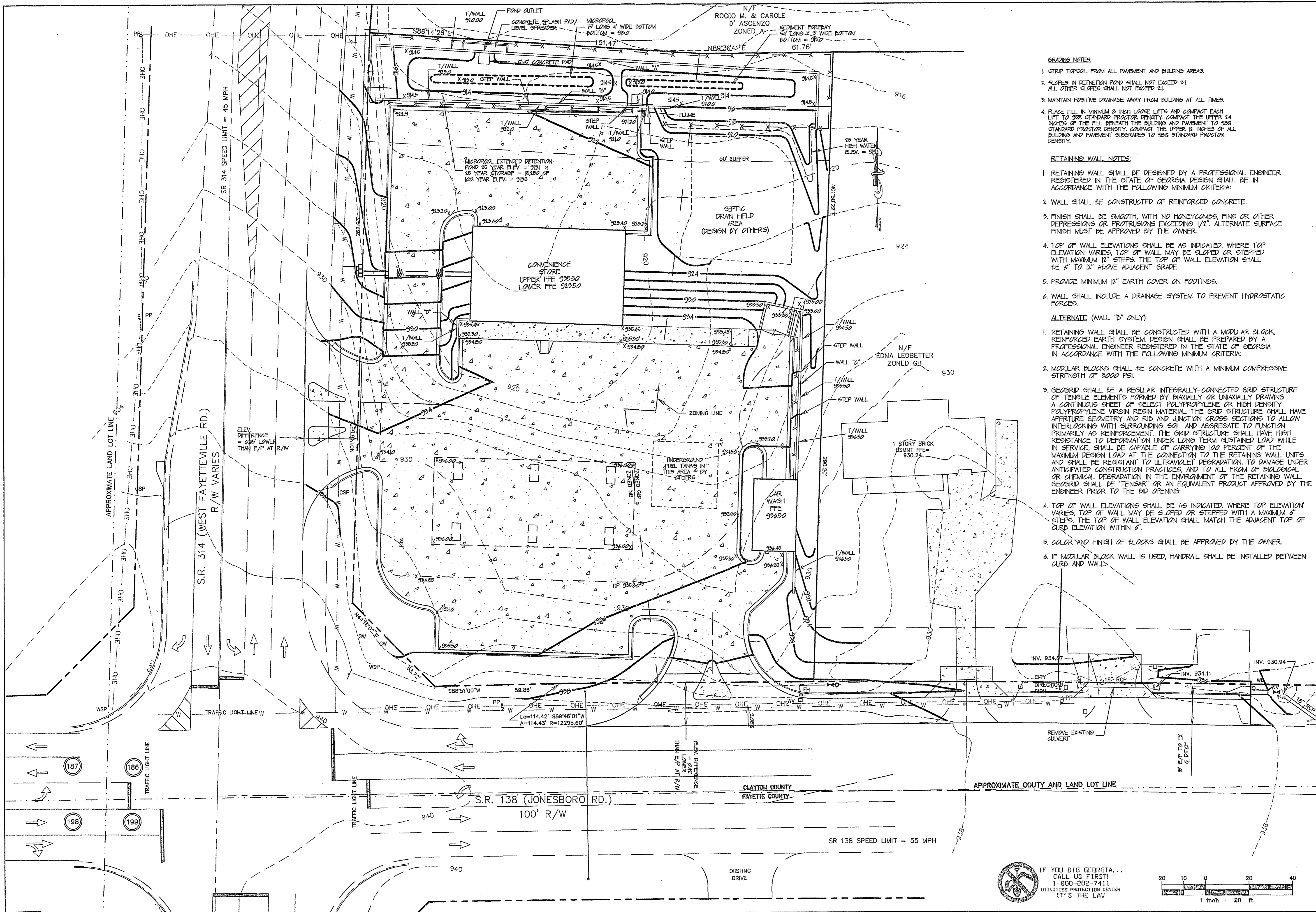
SHEET 3 OF 8

RELEASED FOR CONSTRUCTION
 FOR REVIEW ONLY

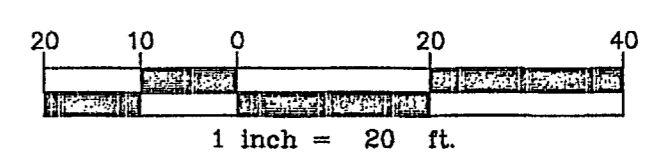
- GRADING NOTES:**
- STRIP TOPSOIL FROM ALL PAVEMENT AND BUILDING AREAS.
 - SLOPES IN DETENTION POND SHALL NOT EXCEED 3:1. ALL OTHER SLOPES SHALL NOT EXCEED 2:1.
 - MAINTAIN POSITIVE DRAINAGE AWAY FROM BUILDING AT ALL TIMES.
 - PLACE FILL IN MINIMUM 8 INCH LOOSE LIFTS AND COMPACT EACH LIFT TO 98% STANDARD PROCTOR DENSITY. COMPACT THE UPPER 24 INCHES OF THE FILL BENEATH THE BUILDING AND PAVEMENT TO 98% STANDARD PROCTOR DENSITY. COMPACT THE UPPER 12 INCHES OF ALL BUILDING AND PAVEMENT SUBGRADES TO 98% STANDARD PROCTOR DENSITY.

- RETAINING WALL NOTES:**
- RETAINING WALL SHALL BE DESIGNED BY A PROFESSIONAL ENGINEER REGISTERED IN THE STATE OF GEORGIA. DESIGN SHALL BE IN ACCORDANCE WITH THE FOLLOWING MINIMUM CRITERIA:
 - WALL SHALL BE CONSTRUCTED OF REINFORCED CONCRETE.
 - FINISH SHALL BE SMOOTH, WITH NO HONEYCOMBS, FINS OR OTHER DEPRESSIONS OR PROTRUSIONS EXCEEDING 1/2". ALTERNATE SURFACE FINISH MUST BE APPROVED BY THE OWNER.
 - TOP OF WALL ELEVATIONS SHALL BE AS INDICATED. WHERE TOP ELEVATION VARIES, TOP OF WALL MAY BE SLOPED OR STEPPED WITH MAXIMUM 12" STEPS. THE TOP OF WALL ELEVATION SHALL BE 6" TO 12" ABOVE ADJACENT GRADE.
 - PROVIDE MINIMUM 12" EARTH COVER ON FOOTINGS.
 - WALL SHALL INCLUDE A DRAINAGE SYSTEM TO PREVENT HYDROSTATIC FORCES.

- ALTERNATE (WALL "B" ONLY)**
- RETAINING WALL SHALL BE CONSTRUCTED WITH A MODULAR BLOCK, REINFORCED EARTH SYSTEM. DESIGN SHALL BE PREPARED BY A PROFESSIONAL ENGINEER REGISTERED IN THE STATE OF GEORGIA IN ACCORDANCE WITH THE FOLLOWING MINIMUM CRITERIA:
 - MODULAR BLOCKS SHALL BE CONCRETE WITH A MINIMUM COMPRESSIVE STRENGTH OF 3000 PSI.
 - GEOSRD SHALL BE A REGULAR INTEGRALLY-CONNECTED GRID STRUCTURE OF TENSILE ELEMENTS FORMED BY BIANALLY OR UNIANALLY DRAWING A CONTINUOUS SHEET OF SELECT POLYPROPYLENE OR HIGH DENSITY POLYPROPYLENE VIRGIN RESIN MATERIAL. THE GRID STRUCTURE SHALL HAVE APERTURE GEOMETRY AND RIB AND JUNCTION CROSS SECTIONS TO ALLOW INTERLOCKING WITH SURROUNDING SOIL AND AGGREGATE TO FUNCTION PRIMARILY AS REINFORCEMENT. THE GRID STRUCTURE SHALL HAVE HIGH RESISTANCE TO DEFORMATION UNDER LONG TERM SUSTAINED LOAD WHILE IN SERVICE. SHALL BE CAPABLE OF CARRYING 100 PERCENT OF THE MAXIMUM DESIGN LOAD AT THE CONNECTION TO THE RETAINING WALL UNITS AND SHALL BE RESISTANT TO ULTRAVIOLET DEGRADATION, TO DAMAGE UNDER ANTICIPATED CONSTRUCTION PRACTICES, AND TO ALL FORMS OF BIOLOGICAL OR CHEMICAL DEGRADATION IN THE ENVIRONMENT OF THE RETAINING WALL. GEOSRD SHALL BE "TENSAR" OR AN EQUIVALENT PRODUCT APPROVED BY THE ENGINEER PRIOR TO THE BID OPENING.
 - TOP OF WALL ELEVATIONS SHALL BE AS INDICATED. WHERE TOP ELEVATION VARIES, TOP OF WALL MAY BE SLOPED OR STEPPED WITH A MAXIMUM 6" STEPS. THE TOP OF WALL ELEVATION SHALL MATCH THE ADJACENT TOP OF CURB ELEVATION WITHIN 6".
 - COLOR AND FINISH OF BLOCKS SHALL BE APPROVED BY THE OWNER.
 - IF MODULAR BLOCK WALL IS USED, HANDRAIL SHALL BE INSTALLED BETWEEN CURB AND WALL.



IF YOU DIG GEORGIA...
 CALL US FIRST!
 1-800-282-7411
 UTILITIES PROTECTION CENTER
 IT'S THE LAW



BRUNDAGE ENGINEERING, INC.
 P.O. BOX 1926
 FAYETTEVILLE, GA. 30214
 770-719-0433

SITE DEVELOPMENT DRAWINGS FOR PIT STOP

LOCATED IN
 L.L. 186
 OF THE 13th DISTRICT
 CLAYTON COUNTY,
 GEORGIA

DATE: JANUARY 18, 2005
 JOB NO.: 00027
 FILE NAME: PITSTOP2rev6
 SCALE: 1" = 20'
 SHEET TITLE:

EROSION AND SEDIMENTATION CONTROL PLAN



NO.	REVISIONS	DATE

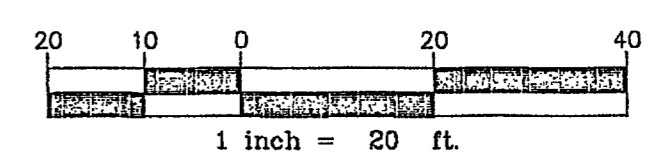
SHEET NO. **4**
 SHEET 4 OF 8
 RELEASED FOR CONSTRUCTION
 FOR REVIEW ONLY

ACTIVITY SCHEDULE

	MARCH	APRIL	MAY	JUNE	JULY
INSTALL EROSION CONTROL	XXXX				
CLEARING	XXXX				
GRADING	XXXX	XXXX			
DETENTION/SEDIMENT POND CONSTRUCTION		XXXX			
GRASSING - SLOPES			XXXX		
STORM DRAIN		XXXX			
WATER LINES			XXXX		
CURBING/PAVING				XXXX	
PERMANENT GRASSING					XXXX
BUILDING CONSTRUCTION			XXXX	XXXX	XXXX
MAINTAIN EROSION CONTROL	XXXX	XXXX	XXXX	XXXX	XXXX

VEGETATIVE PLAN FOR GRASSING
 TEMPORARY GRASSING FOR MARCH-APRIL - ANNUAL RYE GRASS (LALM TERALENTUM) APPLY SEED AT 40 LBS/ACRE, TOP DRESS FERTILIZER AT 500 LBS/ACRE OF 10-10-10 LIME TO BE APPLIED AT 1 TON/ACRE (APPLY LIME WITH FERTILIZER APPLICATION) AND DRY STRAW MULCH AT 2 TONS/ACRE IMMEDIATELY AFTER APPLICATION OF SEED AND FERTILIZER/LIME.
 TEMPORARY GRASSING FOR MAY-JULY - PEARL MILLET (PENSABETUM GLAUCUM) APPLY SEED AT 50 LBS/ACRE, TOP DRESS FERTILIZER AT 500 LBS/ACRE OF 10-10-10 LIME TO BE APPLIED AT 1 TON/ACRE (APPLY LIME WITH FERTILIZER APPLICATION) AND DRY STRAW MULCH AT 2 TONS/ACRE IMMEDIATELY AFTER APPLICATION OF SEED AND FERTILIZER/LIME.
 PERMANENT GRASSING FOR SEPTEMBER - COMMON BERLADA - MULLED (CENOPUS DACTYLON) APPLY SEED AT 10 LBS/ACRE, TOP DRESS FERTILIZER AT 500 LBS/ACRE OF 10-10-10 LIME TO BE APPLIED AT 1 TON/ACRE (APPLY LIME WITH FERTILIZER APPLICATION) AND APPLY DRY STRAW MULCH AT 2 TONS/ACRE IMMEDIATELY AFTER APPLICATION OF SEED AND FERTILIZER/LIME.
 SEE MANUAL FOR EROSION AND SEDIMENT CONTROL IN GEORGIA FOR STATE APPROVED GRASSING SPECIFICATIONS IF CONSTRUCTION SCHEDULE IS DIFFERENT THAN INDICATED.

TEMPORARY SEDIMENT BASIN CALCULATIONS
 ON-SITE DRAINAGE AREA = 14 AC
 REQUIRED SEDIMENT VOLUME = 14 AC X 67 CY/AC = 94 CY
 SEDIMENT STORAGE ELEV. = 910
 CLEANOUT VOLUME = 14 AC X 22 CY/AC = 31 CY
 CLEANOUT ELEV. = 915



IF YOU DIG GEORGIA...
 CALL US FIRST!
 1-800-232-7411
 UTILITIES PROTECTION CENTER
 IT'S THE LAW

- LEGEND**
- (Cd) CHECK DAM
 - (Co) CONSTRUCTION EXIT
 - (Fr) FILTER RING
 - (Lv) LEVEL SPREADER
 - (Re) RETAINING WALL
 - (Rt) RETROFIT
 - (St) STORM DRAIN OUTLET PROTECTION
 - (Sd) SEDIMENT BARRIER
 - (Sd2) TEMPORARY SEDIMENT BASIN
 - (Ds2) DISTURBED AREA STABILIZATION (WITH TEMPORARY SEEDING)
 - (Ds3) DISTURBED AREA STABILIZATION (WITH PERMANENT VEGETATION)
 - (Mb) MATTING AND BLANKETS - (CURLEX | EROSION BLANKET)

EROSION AND SEDIMENT CONTROL NOTES

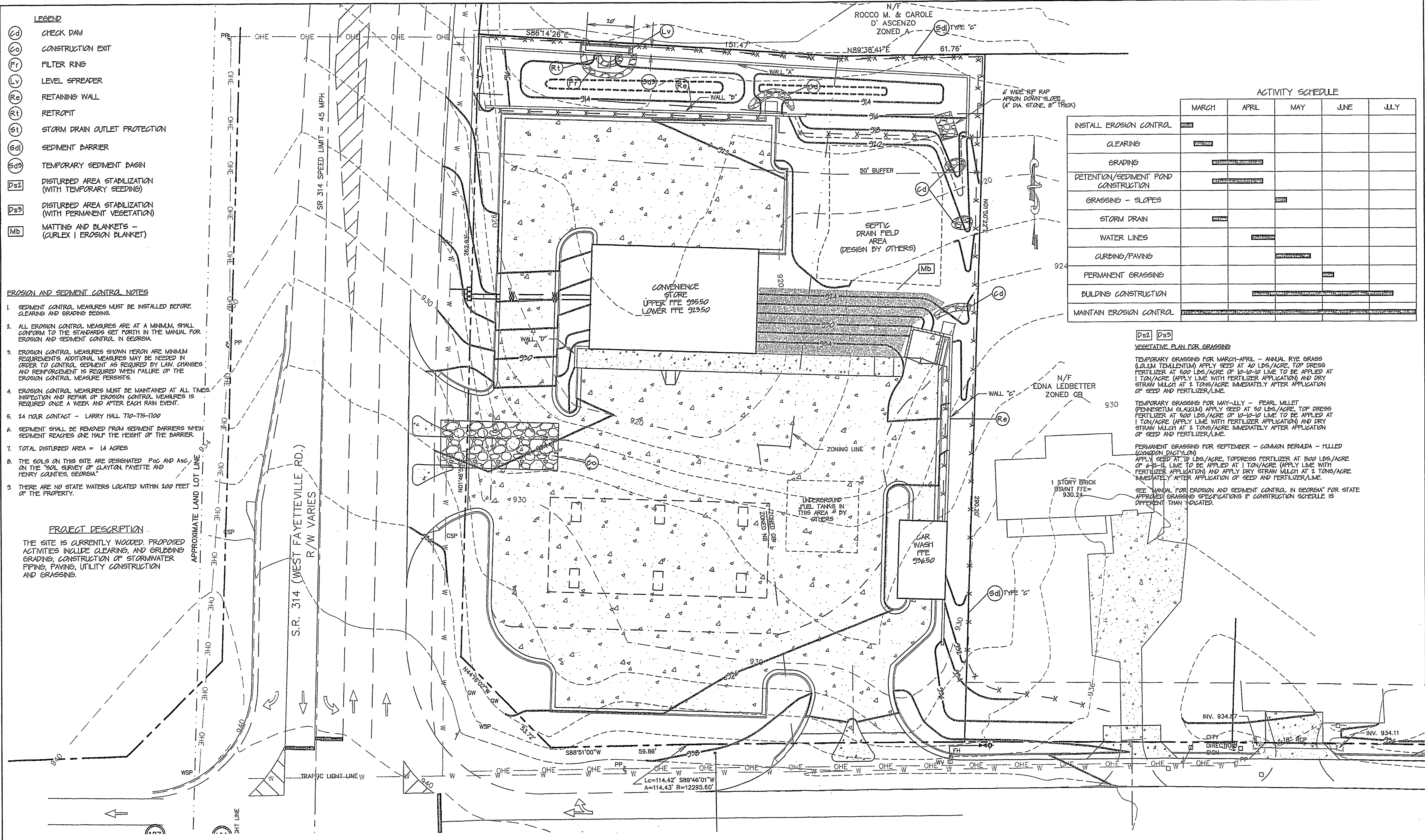
1. SEDIMENT CONTROL MEASURES MUST BE INSTALLED BEFORE CLEARING AND GRADING BEGINS.
2. ALL EROSION CONTROL MEASURES ARE AT A MINIMUM, SHALL CONFORM TO THE STANDARDS SET FORTH IN THE MANUAL FOR EROSION AND SEDIMENT CONTROL IN GEORGIA.
3. EROSION CONTROL MEASURES SHOWN HEREON ARE MINIMUM REQUIREMENTS. ADDITIONAL MEASURES MAY BE NEEDED IN ORDER TO CONTROL SEDIMENT AS REQUIRED BY LAW, CHANGES, AND REINFORCEMENT IS REQUIRED WHEN FAILURE OF THE EROSION CONTROL MEASURE PERSISTS.
4. EROSION CONTROL MEASURES MUST BE MAINTAINED AT ALL TIMES. INSPECTION AND REPAIR OF EROSION CONTROL MEASURES IS REQUIRED ONCE A WEEK AND AFTER EACH RAIN EVENT.
5. 24 HOUR CONTACT - LARRY HALL 770-775-1100
6. SEDIMENT SHALL BE REMOVED FROM SEDIMENT BARRIERS WHEN SEDIMENT REACHES ONE HALF THE HEIGHT OF THE BARRIER.
7. TOTAL DISTURBED AREA = 14 ACRES
8. THE SOILS ON THIS SITE ARE DESIGNATED POC AND A8C ON THE "SOIL SURVEY OF CLAYTON, FAYETTE AND HENRY COUNTIES, GEORGIA."
9. THERE ARE NO STATE WATERS LOCATED WITHIN 200 FEET OF THE PROPERTY.

PROJECT DESCRIPTION

THE SITE IS CURRENTLY WOODED. PROPOSED ACTIVITIES INCLUDE CLEARING, AND GRADING, GRADING, CONSTRUCTION OF STORMWATER PIPING, PAVING, UTILITY CONSTRUCTION AND GRASSING.

THE ESCAPE OF SEDIMENT FROM THE SITE SHALL BE PREVENTED BY THE INSTALLATION OF EROSION CONTROL MEASURES AND PRACTICES PRIOR TO, OR CONCURRENT WITH, LAND DISTURBING ACTIVITIES.

EROSION CONTROL MEASURES WILL BE MAINTAINED AT ALL TIMES. IF FULL IMPLEMENTATION OF THE APPROVED PLAN DOES NOT PROVIDE FOR EFFECTIVE EROSION CONTROL, ADDITIONAL EROSION AND SEDIMENT CONTROL MEASURES SHALL BE IMPLEMENTED TO CONTROL OR TREAT THE SEDIMENT SOURCE.



SPECIFICATIONS

A. GRADING AND SHAPING

- EXCESSIVE WATER RUNOFF MUST BE CONTROLLED BY PLANNED AND INSTALLED EROSION CONTROL PRACTICES SUCH AS CLOSED DRAINS, DITCHES, DIKES, DIVERSIONS, SEDIMENT BASINS AND OTHERS.
- NO SHAPING OR GRADING IS REQUIRED IF SLOPES CAN BE STABILIZED BY HAND-SEEDED VEGETATION OR IF HYDRAULIC SEEDING EQUIPMENT IS TO BE USED.

B. SEEDBED PREPARATION

- WHEN A HYDRAULIC SEEDER IS USED, SEEDBED PREPARATION IS NOT REQUIRED.
- WHEN USING CONVENTIONAL OR HAND-SEEDED, SEEDBED PREPARATION IS NOT REQUIRED IF THE SOIL MATERIAL IS LOOSE AND NOT SEALED BY RAINFALL.
- WHEN SOIL HAS BEEN SEALED BY RAINFALL OR CONSISTS OF SMOOTH UNDISTURBED CUT SLOPES, THE SOIL SHALL BE PITTED, TRENCHED OR OTHERWISE SCARIFIED TO PROVIDE A PLACE FOR SEED TO LODGE AND GERMINATE.

C. LIME AND FERTILIZER

- AGRICULTURAL LIME IS NOT REQUIRED.
- ON REASONABLY FERTILE SOILS OR SOIL MATERIAL, FERTILIZER IS NOT REQUIRED.
- ON SOILS OF VERY LOW FERTILITY, USE 500 TO 700 POUNDS 10-10-10 FERTILIZER OR THE EQUIVALENT PER ACRE (12-16 lbs./1000 sq. ft.), IF THE SITE WILL PERMIT, APPLY BEFORE LAND PREPARATION AND DISK, RIP OR CHISEL TO INCORPORATE.

D. SEEDING

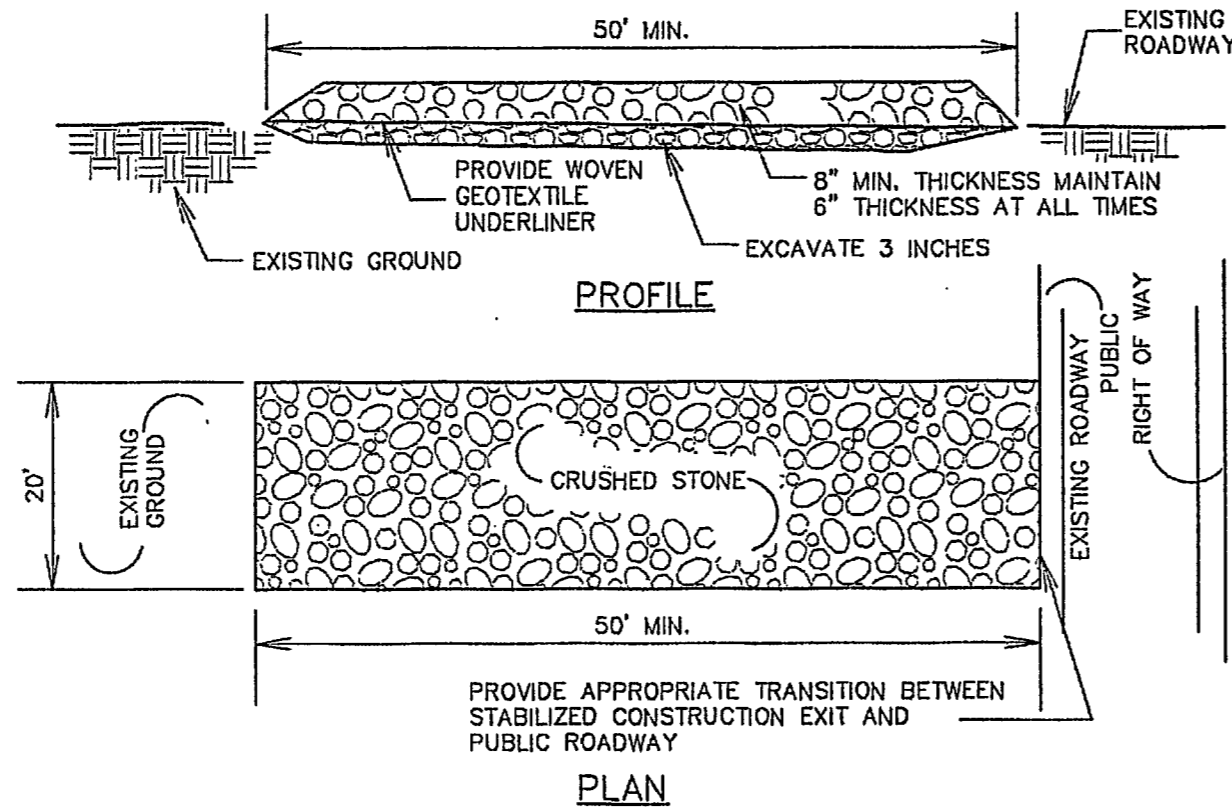
- SELECT A GRASS OR GRASS-LEGUME MIXTURE SUITABLE TO THE AREA AND SEASON OF THE YEAR.
- APPLY SEED UNIFORMLY BY HAND, CYCLONE SEEDER, DRILL, CULTIPACKER-SEEDER, OR HYDRAULIC SEEDER (SLURRY INCLUDING SEED AND FERTILIZER). DRILL OR CULTIPACKER-SEEDERS SHOULD NORMALLY PLACE SEED ONE-HALF TO ONE INCH DEEP.

E. MULCHING

TEMPORARY VEGETATION CAN, IN MOST CASES, BE ESTABLISHED WITHOUT THE USE OF MULCH. MULCH WITHOUT SEEDING SHOULD BE CONSIDERED FOR SHORT TERM PROTECTION. SEE Ds1 - DISTURBED AREA STABILIZATION (WITH TEMPORARY SEEDLINGS).

F. IRRIGATION

IF WATER IS APPLIED, IT MUST BE AT A RATE NOT CAUSING RUNOFF AND EROSION. THOROUGHLY WET THE SOIL TO A DEPTH THAT WILL INSURE GERMINATION OF THE SEED. SUBSEQUENT APPLICATIONS SHOULD BE MADE WHEN NEEDED.



CONSTRUCTION SPECIFICATIONS:

- STONE SIZE - USE 1.5" TO 3.5" CRUSHED STONE.
- LENGTH - AS EFFECTIVE, BUT NOT LESS THAN 50'.
- THICKNESS - NOT LESS THAN EIGHT (8) INCHES.
- WIDTH - NOT LESS THAN FULL WIDTH OF ALL POINTS OF INGRESS OR EGRESS.
- WASHING - WHEN NECESSARY, WHEELS SHALL BE CLEANED TO REMOVE SEDIMENT PRIOR TO ENTRANCE ONTO PUBLIC RIGHTS-OF-WAY. WHEN WASHING IS REQUIRED IT SHALL BE DONE ON AN AREA STABILIZED WITH CRUSHED STONE WHICH DRAINS INTO AN APPROVED SEDIMENT TRAP OR SEDIMENT BASIN. ALL SEDIMENT SHALL BE PREVENTED FROM ENTERING ANY STORM DRAIN, DITCH, OR WATERCOURSE THROUGH THE USE OF SAND BAGS, GRAVEL, BOARDS, OR OTHER APPROVED METHODS.
- MAINTENANCE - THE ENTRANCE SHALL BE MAINTAINED IN A CONDITION WHICH WILL PREVENT TRACKING OR FLOWING OF SEDIMENT ONTO PUBLIC RIGHTS-OF-WAY. THIS MAY REQUIRE PERIODIC TOP DRESSING WITH ADDITIONAL STONE AS CONDITIONS DEMAND, AND REPAIR AND/OR CLEANOUT OF ANY MEASURES USED TO TRAP SEDIMENT. ALL SEDIMENT SPILLED, DROPPED, WASHED, OR TRACKED ONTO PUBLIC RIGHTS-OF-WAY MUST BE REMOVED IMMEDIATELY.

(Co) STONE PAD CONSTRUCTION EXIT

NOT TO SCALE

SPECIFICATIONS

A. GRADING AND SHAPING

- GRADING AND SHAPING IS NOT NORMALLY REQUIRED WHERE HYDRAULIC SEEDING AND FERTILIZING EQUIPMENT IS TO BE USED. VERTICAL BANKS SHALL BE SLOPED TO ENABLE PLANT ESTABLISHMENTS.
- WHEN CONVENTIONAL SEEDING AND FERTILIZING IS TO BE DONE, GRADE AND SHAPE WHERE FEASIBLE AND PRACTICAL, SO THAT EQUIPMENT CAN BE USED SAFELY AND EFFICIENTLY DURING SEEDBED PREPARATION, SEEDING, MULCHING AND MAINTENANCE OF THE VEGETATION.
- CONCENTRATIONS OF WATER THAT WILL CAUSE EXCESSIVE SOIL EROSION WILL BE DIVERTED TO A SAFE OUTLET. DIVERSIONS AND OTHER TREATMENT PRACTICES MUST CONFORM WITH THE APPROPRIATE STANDARDS AND SPECIFICATIONS.

B. SEEDBED PREPARATION

- SEEDBED PREPARATION IS NOT REQUIRED WHERE HYDRAULIC SEEDING AND FERTILIZING EQUIPMENT IS TO BE USED.
- WHEN CONVENTIONAL SEEDING IS TO BE USED, SEEDBED PREPARATION WILL BE DONE AS FOLLOWS:
 - BROADCAST PLANTING.
 - TILLAGE AT A MINIMUM, SHALL ADEQUATELY LOOSEN THE SOIL TO A DEPTH OF 4 TO 6 INCHES; ALLEVIATE COMPACTION; INCORPORATE LIME AND FERTILIZER, SMOOTH AND FIRM THE SOIL; ALLOW FOR THE PROPER PLACEMENT OF SEED SPRIGS, OR PLANTS; AND ALLOW FOR THE ANCHORING OF STRAW OR HAY MULCH IF A DISK IS TO BE USED.
 - TILLAGE MAY BE DONE WITH ANY SUITABLE EQUIPMENT.
 - TILLAGE MAY BE DONE ON THE CONTOUR WHERE FEASIBLE.
 - ON SLOPES TOO STEEP FOR THE SAFE OPERATION OF TILLAGE EQUIPMENT, THE SOIL SURFACE WILL BE PITTED OR TRENCHED ACROSS THE SLOPE WITH APPROPRIATE HAND TOOLS TO PROVIDE A PLACE 6 TO 8 INCHES APART IN WHICH SEED MAY LODGE AND GERMINATE.
 - INDIVIDUAL PLANTS.
 - WHERE INDIVIDUAL PLANTS ARE TO BE SET, THE SOIL WILL BE PREPARED BY EXCAVATING HOLES, OPENING FURROWS, OR DIBBLE PLANTING.
 - FOR NURSERY STOCK PLANTS, HOLES SHALL BE LARGE ENOUGH TO ACCOMMODATE ROOTS WITHOUT CROWDING.
 - WHERE PINE SEEDLINGS ARE TO BE PLANTED, SUBSOIL UNDER THE ROW 35 INCHES DEEP ON THE CONTOUR 4 TO 6 MONTHS PRIOR TO PLANTING. SUBSOILING SHOULD BE DONE WHEN THE SOIL IS DRY, PREFERABLY IN AUGUST OR SEPTEMBER.

C. LIME AND FERTILIZER -- RATES AND ANALYSIS

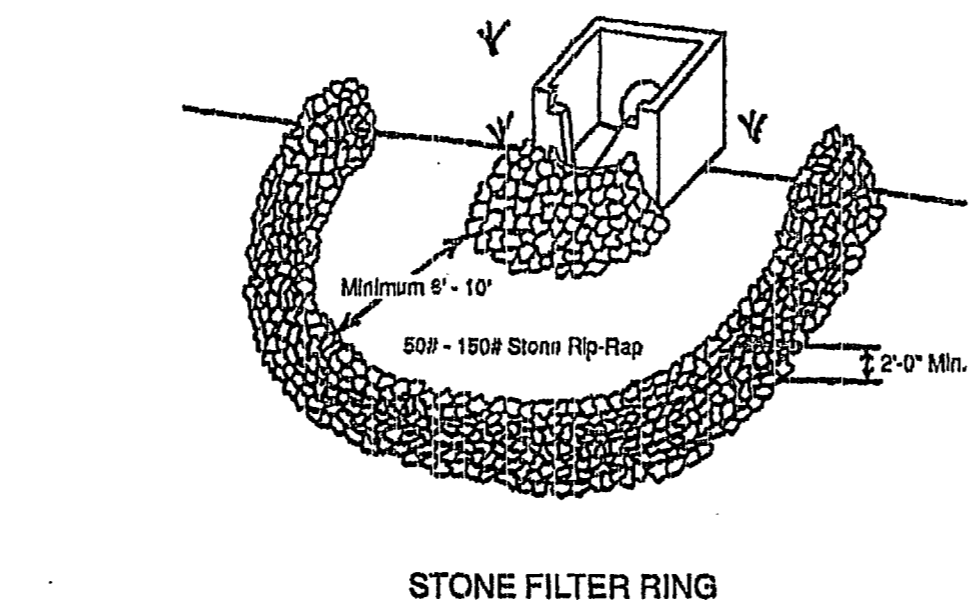
WHERE PERMANENT VEGETATION IS TO BE ESTABLISHED, AGRICULTURAL LIME SHALL BE APPLIED AS INDICATED BY SOIL TEST OR AT THE RATE OF 1 TO 2 TONS PER ACRE. AGRICULTURAL LIME SHALL BE WITHIN THE SPECIFICATIONS OF THE GEORGIA DEPARTMENT OF AGRICULTURE. LIME SPREAD BY CONVENTIONAL EQUIPMENT WILL BE "GROUND LIMESTONE." GROUND LIMESTONE IS CALCITIC OR DOLOMITIC LIMESTONE GROUND SO THAT 90 PERCENT OF THE MATERIAL WILL PASS THROUGH A 10-MESH SIEVE AND NOT LESS THAN 25 PERCENT WILL PASS THROUGH A 100-MESH SIEVE. AGRICULTURAL LIME SPREAD BY HYDRAULIC SEEDING EQUIPMENT WILL BE "FINELY GROUND LIMESTONE." FINELY GROUND LIMESTONE IS CALCITIC OR DOLOMITIC LIMESTONE GROUND SO THAT 98 PERCENT OF THE MATERIAL WILL PASS THROUGH A 20 MESH SIEVE AND NOT LESS THAN 70 PERCENT WILL PASS THROUGH A 100 MESH SIEVE.

D. LIME FERTILIZER -- APPLICATION

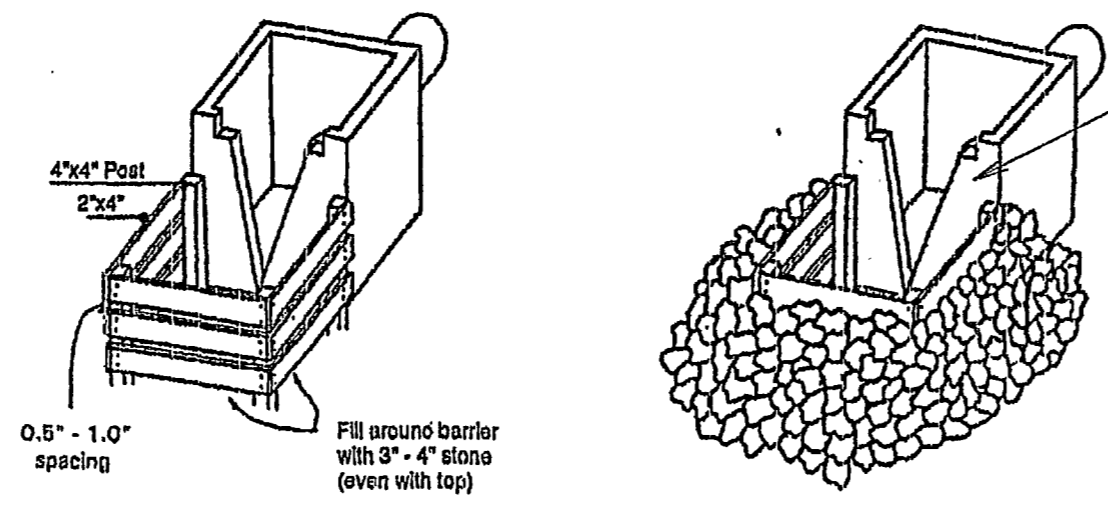
- WHEN HYDRAULIC SEEDING EQUIPMENT IS USED:
 - THE INITIAL FERTILIZER WILL BE MIXED WITH SEED, INOCULANT (IF NEEDED) AND WOOD CELLULOSE OR WOOD PULP FIBER MULCH AND APPLIED IN A SLURRY. THE SLURRY WILL BE AGITATED DURING APPLICATION TO KEEP THE INGREDIENTS THOROUGHLY MIXED. THE MIXTURE WILL BE SPREAD UNIFORMLY OVER THE AREA WITHIN ONE HOUR AFTER BEING PLACED IN THE HYDROSEEDER.
 - FINELY GROUND LIMESTONE WILL BE MIXED WITH WATER AND APPLIED IMMEDIATELY AFTER MULCHING IS COMPLETED OR IN COMBINATION WITH THE TOP DRESSING.
- WHEN CONVENTIONAL PLANTING IS TO BE DONE, LIME AND FERTILIZER WILL BE APPLIED UNIFORMLY IN ONE OF THE FOLLOWING WAYS:
 - APPLY BEFORE LAND PREPARATION SO THAT IT WILL BE MIXED WITH THE SOIL DURING SEEDBED PREPARATION; OR,
 - MIX WITH THE SOIL USED TO FILL THE HOLES, DISTRIBUTE IN FURROWS; OR,
 - BROADCAST AFTER STEEP SURFACES AND SCARIFIED, PITTED OR TRENCHED.
 - A FERTILIZER PELLET WILL BE PLACED AT ROOT DEPTH.

(Ds3) DISTURBED AREA STABILIZATION (WITH PERMANENT SEEDLINGS)

NOT TO SCALE



STONE FILTER RING



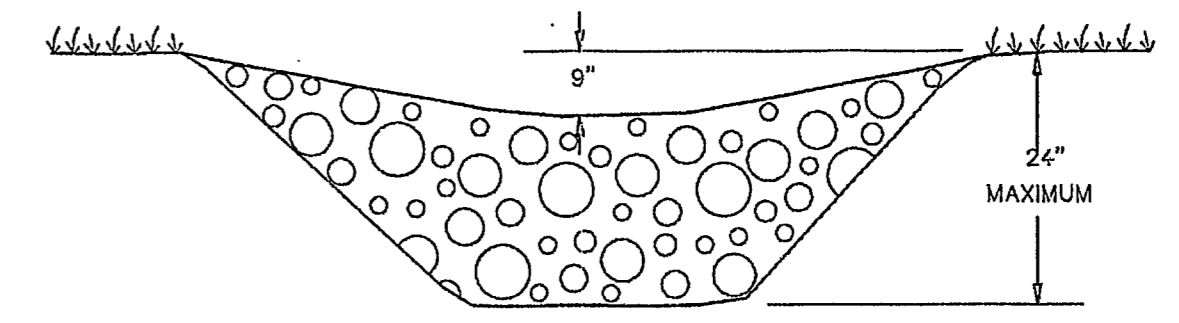
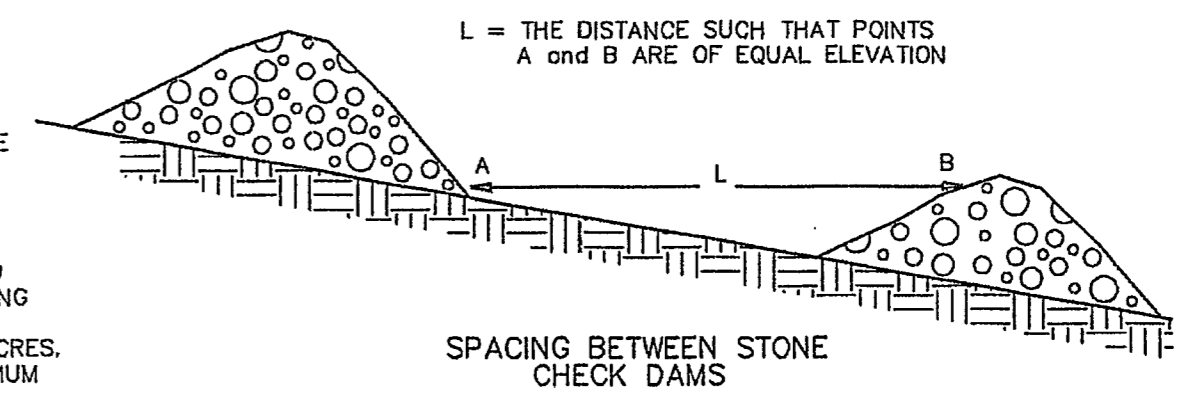
SLOTTED BOARD DAM WITH STONE FILTER

(Fr) FILTER RING AND (Rt) RETROFIT

NOT TO SCALE

THE FOLLOWING TYPES OF CHECK DAMS ARE USED FOR THIS STANDARD:

- STONE CHECK DAMS SHOULD BE CONSTRUCTED OF GRADING SIZE 2-10 INCH STONE. (SEE FIGURE). MECHANICAL OR HAND PLACEMENT SHALL BE REQUIRED TO INSURE COMPLETE COVERAGE OF ENTIRE WIDTH OF DITCH OR SWALE AND THAT CENTER OF DAM IS LOWER THAN EDGES.
- HAYBALE CHECK DAMS: STAKED AND EMBEDDED HAYBALES MAY BE USED AS TEMPORARY CHECKDAMS IN CONCENTRATED FLOW AREAS WHILE VEGETATION IS BECOMING ESTABLISHED. THEY SHOULD NOT BE USED WHERE THE DRAINAGE AREA EXCEEDS 2 ACRES. HAYBALES SHOULD BE EMBEDDED A MINIMUM OF 4 INCHES. (SEE FIGURE).

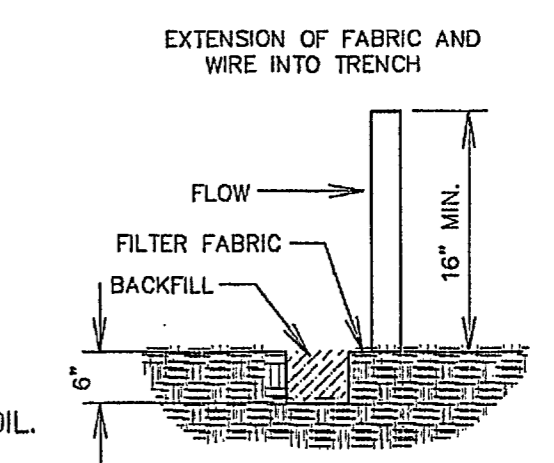
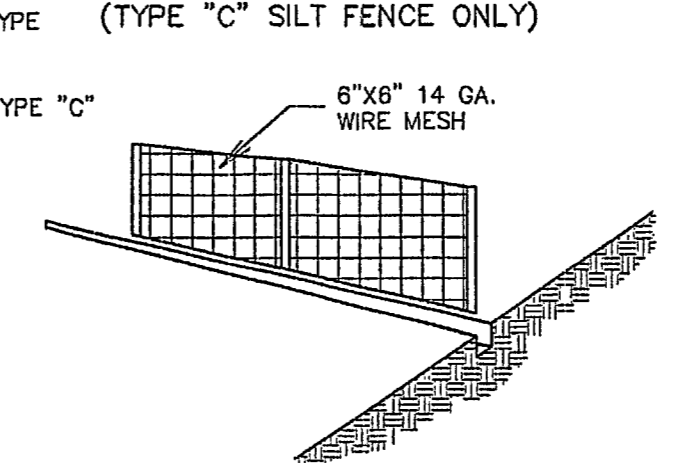
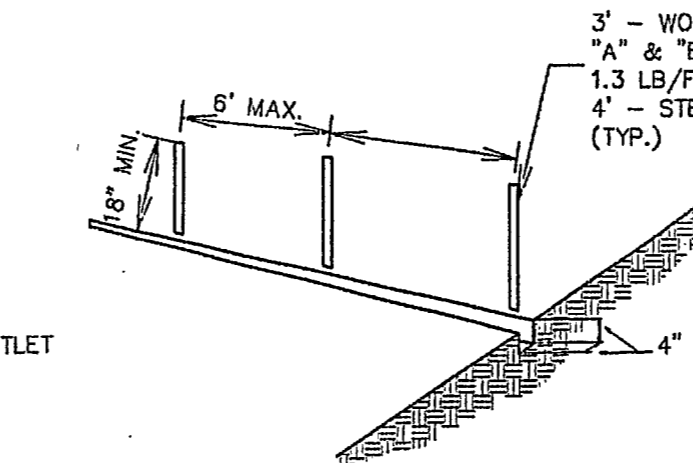


(Cd) CHECK DAM

NOT TO SCALE

PERIODIC INSPECTION AND REQUIRED MAINTENANCE MUST BE PROVIDED. SEDIMENT SHOULD BE REMOVED WHEN IT REACHES A DEPTH OF ONE-HALF THE ORIGINAL DAM HEIGHT OR BEFORE. CHECK DAMS MUST BE REMOVED AT THE COMPLETION OF THEIR USEFUL LIFE. AFTER REMOVAL, THE AREA BENEATH THE DAM SHOULD BE SEED AND MULCHED IMMEDIATELY.

- SET POSTS AND EXCAVATE A 4"x4" TRENCH UP SLOPE ALONG THE LINE OF POSTS.
- ATTACH WOVEN WIRE REINFORCEMENT FENCING TO THE POSTS. (TYPE "C" SILT FENCE ONLY)
- ATTACH THE (36" TYPE A & C, 22" TYPE B) FILTER FABRIC TO THE POST AND EXTEND IT INTO THE TRENCH. SEE EMBEDDING DETAIL
- BACKFILL AND COMPACT THE EXCAVATED SOIL.



NOTE: GEO-TEXTILE FABRIC SHALL BE ERECTED WITH A WIRE BACKING TYPE "C" ONLY.

EMBEDDING DETAIL

(Sd1) CONSTRUCTION OF SILT FENCE

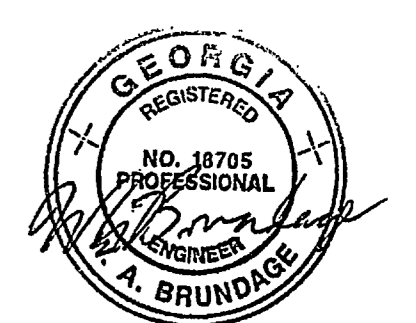
NOT TO SCALE

SITE DEVELOPMENT DRAWINGS FOR PIT STOP

LOCATED IN
L.L. 186
OF THE 13th DISTRICT
CLAYTON COUNTY,
GEORGIA

DATE	JOB NO.
JANUARY 18, 2005	00027
FILE NAME	SCALE
PITSTOP2rev6	1" = 20'

SHEET TITLE
EROSION AND SEDIMENTATION CONTROL DETAILS



NO.	REVISIONS	DATE

SHEET NO.
5
SHEET 5 OF 8
 RELEASED FOR CONSTRUCTION
 FOR REVIEW ONLY

BRUNDAGE ENGINEERING, INC.
P.O. BOX 1926
FAYETTEVILLE, GA. 30214
770-719-0433

SITE DEVELOPMENT DRAWINGS FOR
PIT STOP

LOCATED IN
L.L. 186
OF THE 13th DISTRICT
CLAYTON COUNTY, GEORGIA

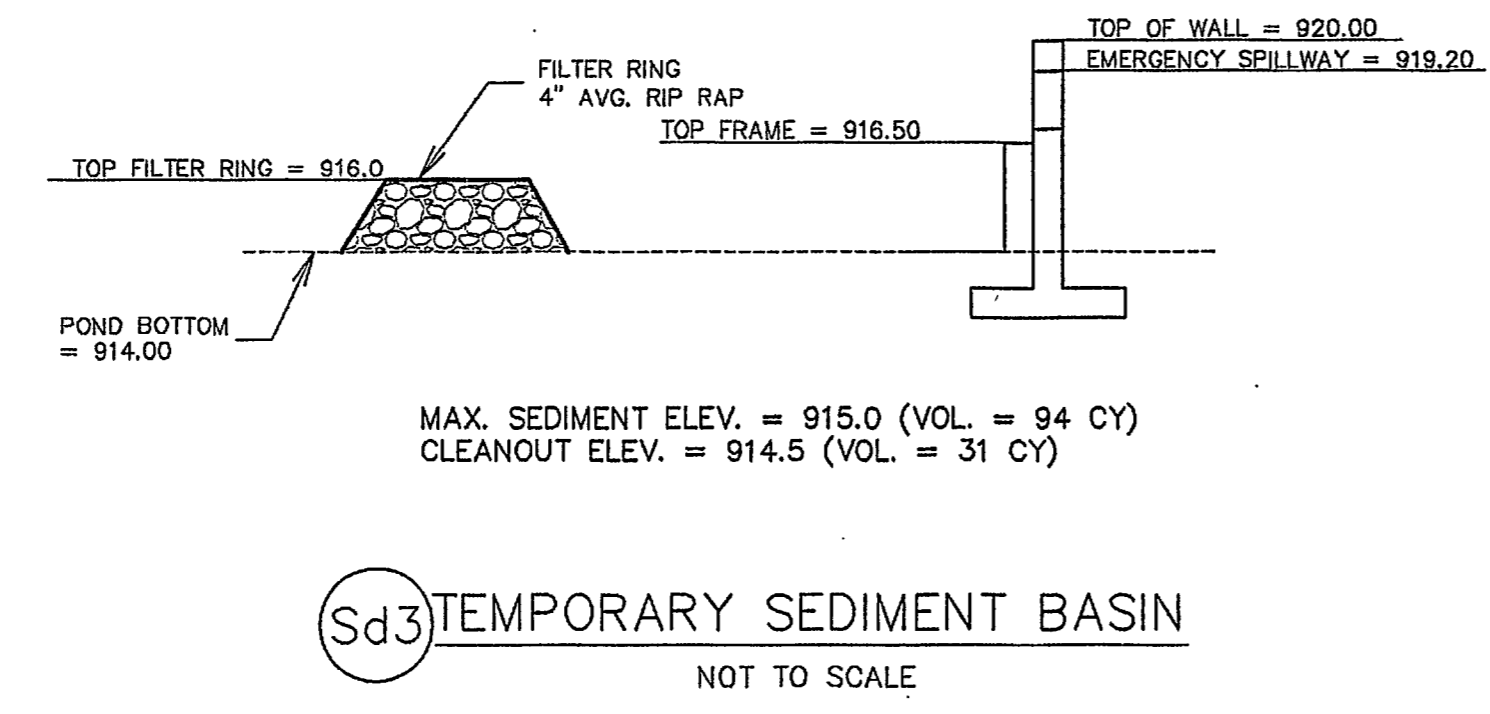
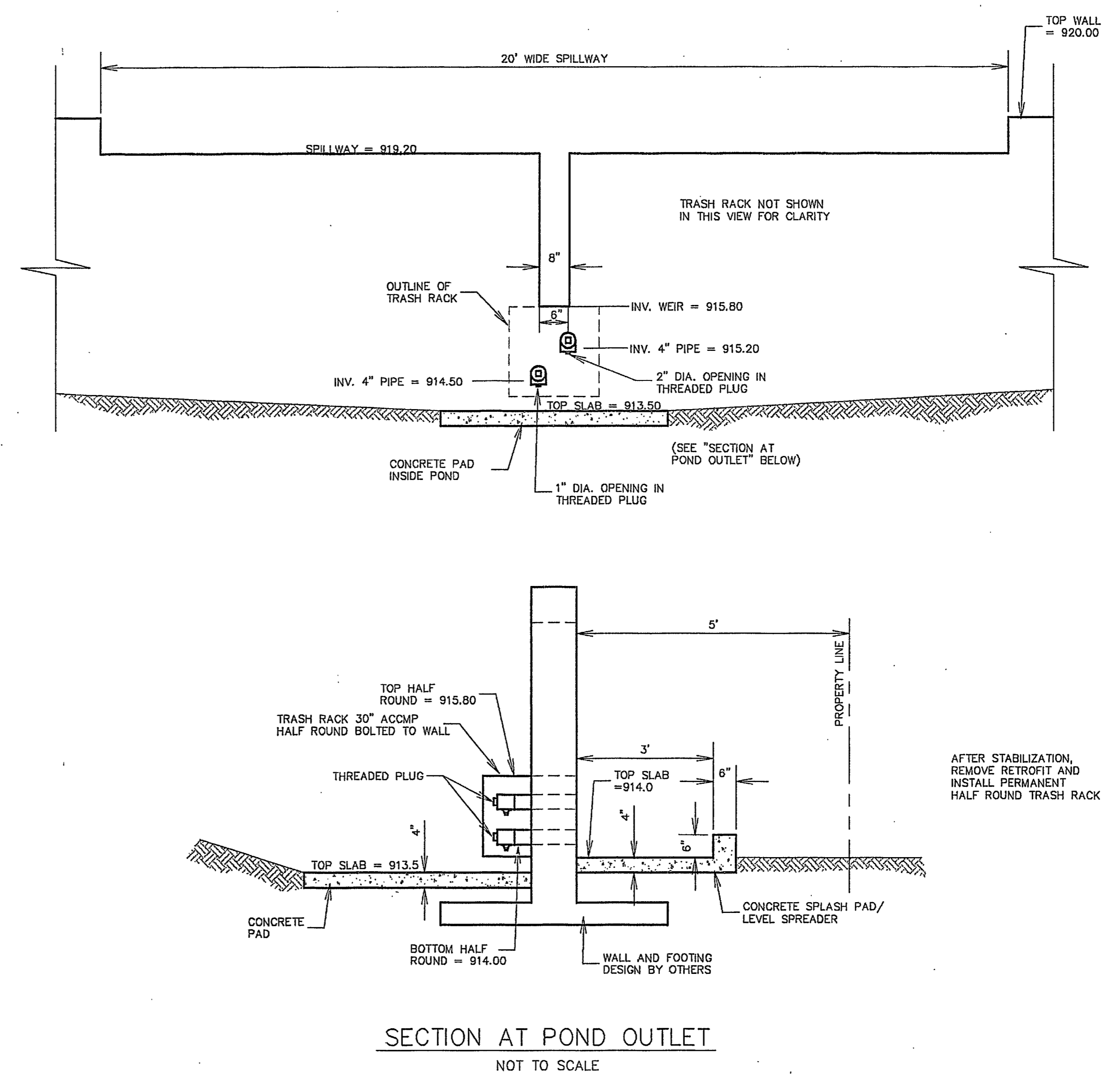
DATE: JANUARY 18, 2005
JOB NO.: 00027
FILE NAME: PITSTOP2rev6
SCALE: NOT TO SCALE
SHEET TITLE

DETAILS

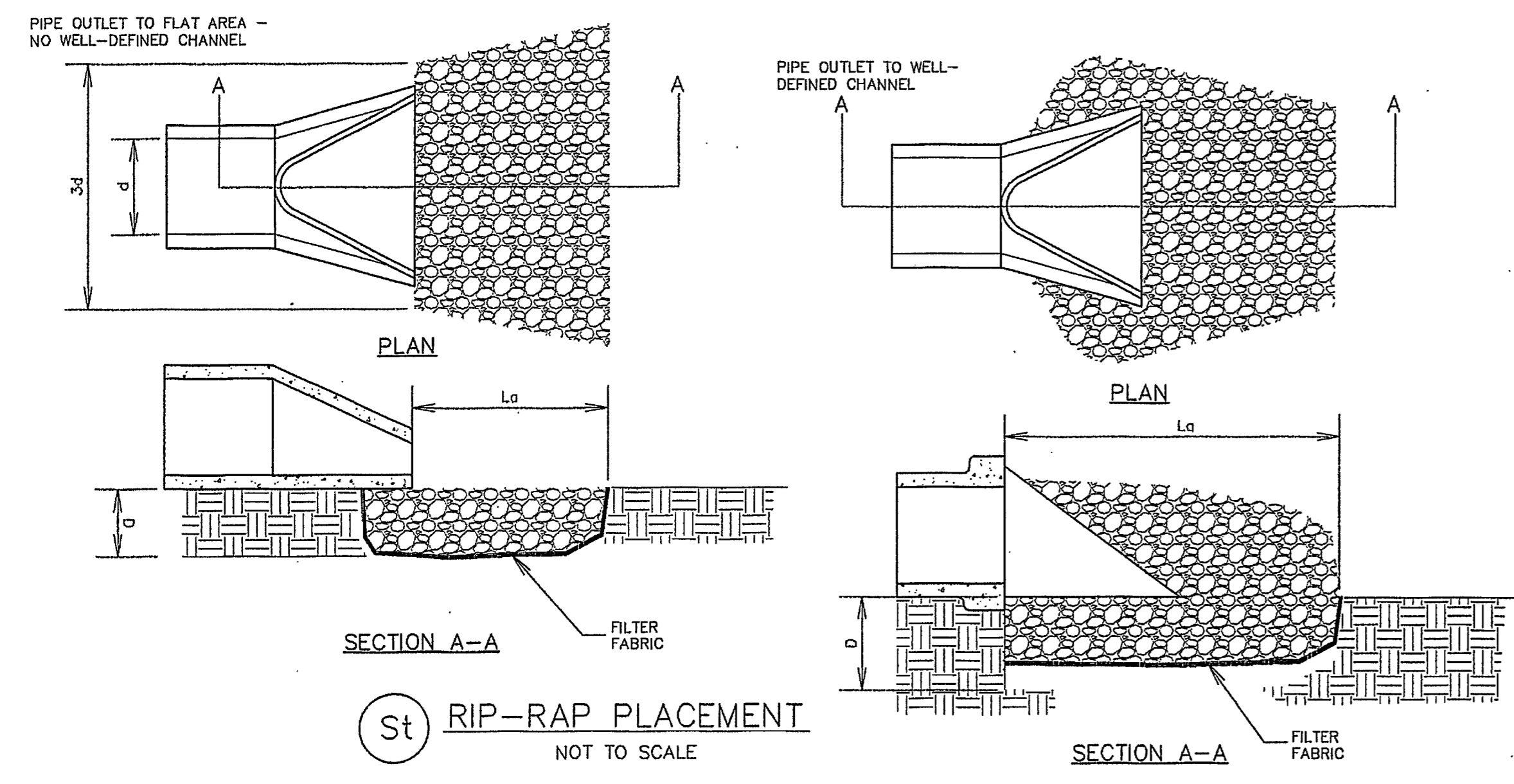


NO.	REVISIONS	DATE

SHEET NO. **6**
SHEET 6 OF 8
 RELEASED FOR CONSTRUCTION
 FOR REVIEW ONLY



- NOTES:
1. L_o IS THE LENGTH OF THE RIPRAP APRON
 2. D= 1.5 TIMES THE MAXIMUM STONE DIAMETER BUT NOT LESS THAN 6"
 3. IN A WELL-DEFINED CHANNEL EXTEND THE APRON UP THE CHANNEL BANKS TO AN ELEVATION OF 6" ABOVE THE MAXIMUM TAILWATER DEPTH OR TO THE TOP OF THE BANK, WHICHEVER IS LESS.
 4. A FILTER BLANKET OR FILTER FABRIC SHOULD BE INSTALLED BETWEEN THE RIPRAP AND SOIL FOUNDATION.



CLAYTON COUNTY WATER AUTHORITY
WATER DISTRIBUTION SYSTEM SPECIFICATIONS
(CONDENSED VERSION)
10/1998

All projects shall have a Clayton County Water Authority approved set of plans on the jobsite at all times.
Notification of Clayton County Water Authority Inspector is required 48 hours prior to construction - contact the Maintenance and Construction Department at 770 960-5230 or 770 960-5662.

1.0 SCOPE
This condensed version of specifications is intended to highlight general areas of the complete Water Distribution System Specifications. The specifications cover the material requirements and installation procedures for all water pipes, structures, and appurtenances to be accepted into the Authority's system.

2.0 GENERAL
The drawing approved by the Authority indicates the extent and general arrangement of the water distribution system. No departures shall be made without the Authority's written approval.
All contractors should be aware of the Authority's construction specification requirements prior to construction. The Authority will not be held responsible for any installation which cannot be accepted into the system because of the contractors lack of knowledge of the existence of the Authority's specification.

3.0 QUALITY OF WORKMANSHIP AND MATERIALS
All products supplied and work performed shall be in accordance with applicable American Society for Testing and Material (ASTM), American Water Works Association (AWWA), and American National Standard Institute (ANSI).

4.0 ACCEPTABLE MATERIALS
The contractor shall furnish all pipes, pipe fittings, valves, pipe casings, tapping sleeves, hydrants and all other material required for the completion of the work as shown on the drawing or indicated by these specifications. The contractor shall only furnish materials in accordance with the following:

- 4.1 Pipe & Fittings**
A. Ductile Iron Pipe:
6" - class 51 cement lined bituminous outside coating
8" - 42" - class 50 cement lined bituminous outside coating
All pipe will conform to ANSI/AWWA C151/A21.51-91. Joints shall be push-on-type, for pipe and standard mechanical joints for fittings. Mechanical joints shall conform to AWWA C111. Restrained joint pipe shall be American, U.S. Pipe or equal as approved by the Authority. All fittings and glands will conform to AWWA C110, or AWWA C153. All fittings will be bituminous outside coated.
All pipes shall be in lengths of at least 18 feet, and fully gauged.
All pipes and appurtenance shall be domestic.
- 4.2 Valves**
Gate valves shall be American Darling or U.S. Pipe Co. only, with diameters 3 inches -30 inches and shall be resilient seat type conforming to the requirements of AWWA C509. 20 inch - 30 inch shall be horizontal body and will be furnished with spur gearing.
Valves with diameter 36 inches and larger shall be M & H Foundry butterfly type valves conforming to AWWA C504.
Buried valves shall be equipped with cast iron valve boxes.
- 4.5 Valve Boxes**
All valve boxes and parts shall be manufactured by Opelika Foundry or as approved by the Authority.
Slip Type valve boxes will be used when tapping valves or tapping saddles are being used.
- 4.6 Tapping Sleeves and Valves**
Tapping sleeves of the split sleeve, ductile iron, mechanical joint type, shall be used on cast iron pipe and approved saddle type on Ductile Iron Pipe. Only U.S. Pipe T-28 dual compression tapping saddles may be used on Ductile Iron Pipe through 16 inch. Ductile Iron Pipe 20 inches and larger will require Smith Blair prefabricated tapping saddles.

- 4.8 Fire Hydrants**
All hydrants shall be American Darling MK73, M & H 129T, or U.S. Pipe M94 and shall conform to the requirements of AWWA C502 for 150 PSI working pressure and NFPA 1993 addition. Hydrant shall have CCAW standard operating nut which shall be constructed of Ductile or gray iron.
Each hydrant will have two 2 1/2 inch hose nozzle connections (7.5 threads per inch) and one 4 1/2 inch connection (4 threads per inch). Hydrants must be factory bury depth of 4'-6" and 5'-0".
All hydrants shall be factory painted silver enamel.
All hydrants will be valved and rod to the tee.
- 8.0 EXCAVATION**
Minimum cover of 4 feet above the top of the pipe.
Within right-of-way of highways, streets, or roadways, the contractor will excavate to place the top of four feet below the nearest pavement edge.
- 8.3 Bell Holes**
At each joint, the contractor shall excavate bell holes to relieve pipe bell of any load
- 9.0 EXISTING UNDERGROUND UTILITIES**
It is the responsibility of the contractor to locate all existing utilities along the path of his excavation. It is the responsibility of the contractor to have all existing utilities located prior to excavation and to be responsible for any expenses due to the damage of existing utilities.
- 10.2 Alignment and Gradient**
The contractor shall lay pipe straight in alignment and gradient and follow true curves as nearly as practical. No joints shall be deflected more than the maximum deflection allowed by the manufacturer.
- 10.4 Laying Pipe in Trenches**
The contractor shall lay the pipe with solid bearing throughout its length.
In rock trenches the pipe shall be bedded in at least 6 inches of granular bedding. The backfill shall be the same material to at least two feet above the pipe.
In wet trenches the contractor shall provide dewatering equipment and gravel to maintain ground water levels below the bottom of the pipe being installed.

- 12.1 Thrust Restraint**
The contractor shall install eyebolts and rods on fire hydrants, fittings, and valves as required.
- 12.2 Concrete Blocking**
All concrete shall be 3000 PSI compressive strength.
Concrete shall not cover bolts or nuts.
- 13.3 Backfill under Roads**
Backfill underlying pavement, dirt roads, and gravel roads, shall be compacted to 95% of the maximum dry density.
- 14.1 Conformance with Governmental Agencies**
The contractor shall comply with all applicable rules and requirements of Clayton County and its municipalities and/or Georgia Department of Transportation while installing any water line and/or appurtenance along highways, streets and roadways.
- 14.2 Protection of Traffic**
The contractor will provide and maintain suitable sign, barricades, and lights for protection of traffic.
Any sign removed for construction shall be replaced at the end of the day.
The contractor shall not close or block any highway, street, or roadway without first obtaining permission from the proper authorities.
- 15.1 Replacing Pavement**
After compaction testing the contractor shall replace all pavement, driveways, sidewalks and curbs that had to be removed.
- 16.3 Boring**
The contractor shall furnish all material and equipment and perform all labor required to install steel casing at the locations and elevations indicated on the drawings. Boring design and materials shall be per all AREA, AASHTO, Georgia D.O.T., and other applicable standards.

- 17.0 STREAM AND DITCH CROSSINGS**
At all points where banks of streams or ditches are disturbed by excavation or where natural vegetation is removed, rip-rap shall be placed 10 feet upstream and 10 feet downstream. Longer distances of coverage may be determined by the inspector.
- 19.1 Flushing**
The contractor shall leave the line segments above the existing grade at their ends. The Authority will flush the lines.
- 19.2 Sterilizing Pipeline**
The Authority shall disinfect all installed potable water lines and all other pipelines which may have been contaminated by the work.
After completing chlorination, the Authority will again flush the system.
Sampling of water mains shall be performed by Authority personnel.
- 19.3 Pressure Testing**
After water samples have satisfactorily passed all laboratory analysis required by the Authority and the State of Georgia, the end segments shall be lowered into the trench and connected per the plan design by the contractor.
The Authority personnel will then pressure test all installed water mains and fittings according to the Clayton County Water Authority specifications. Any leaks that are detected will be repaired by the contractor.
Under no circumstances will the contractor operate valves in the existing system without specific consent of the Authority.
- 22.0 EROSION CONTROL**
The Authority requires all current state manuals for Erosion and Sedimentation Control in Georgia and Clayton County be strictly adhered to in the field.

**BRUNDAGE
ENGINEERING, INC.**
P.O. BOX 1926
FAYETTEVILLE,
GA. 30214
770-719-0433

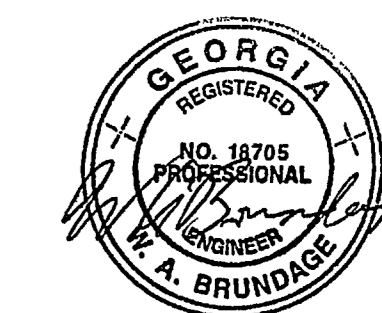
SITE
DEVELOPMENT
DRAWINGS
FOR

PIT STOP

LOCATED IN
L.L. 186
OF THE 13th DISTRICT
CLAYTON COUNTY,
GEORGIA

DATE: JANUARY 18, 2005
JOB NO.: 00027
FILE NAME: PITSTOP2rev6
SCALE: NOT TO SCALE
SHEET TITLE: DETAILS

DETAILS



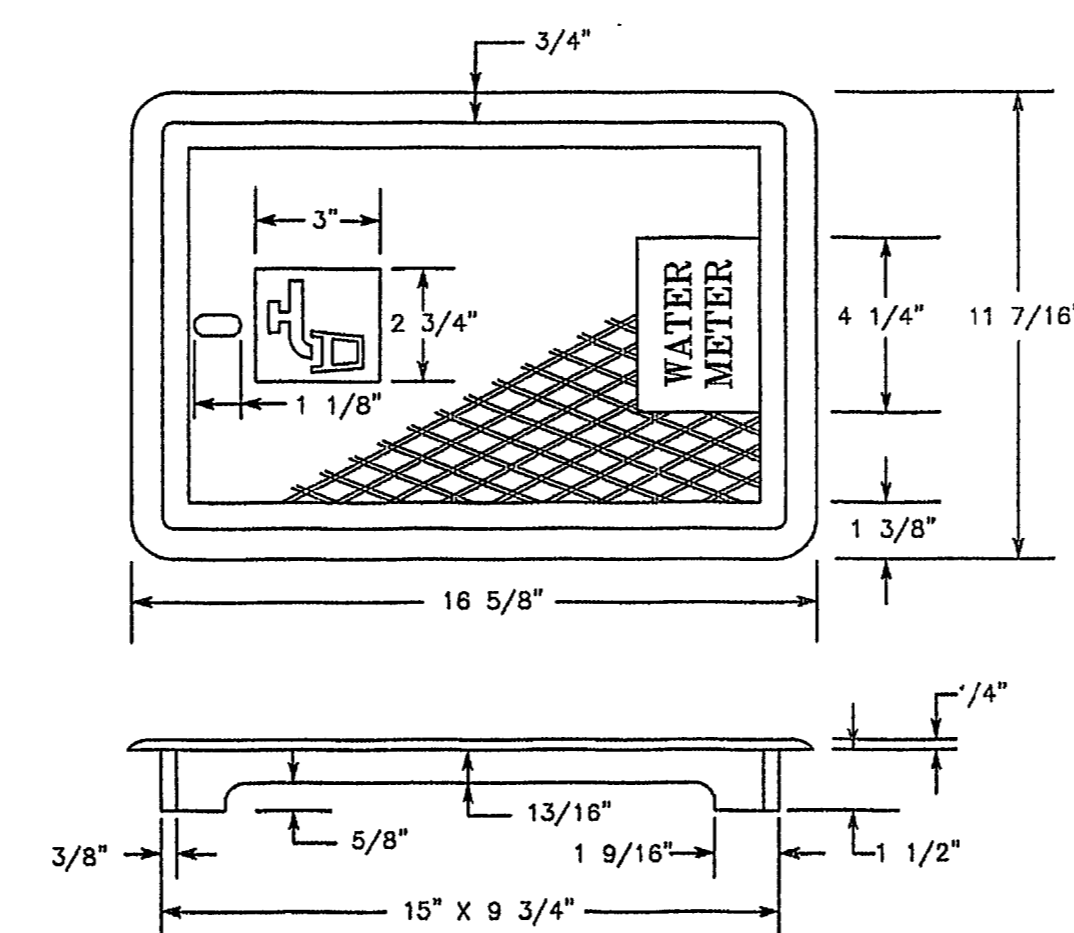
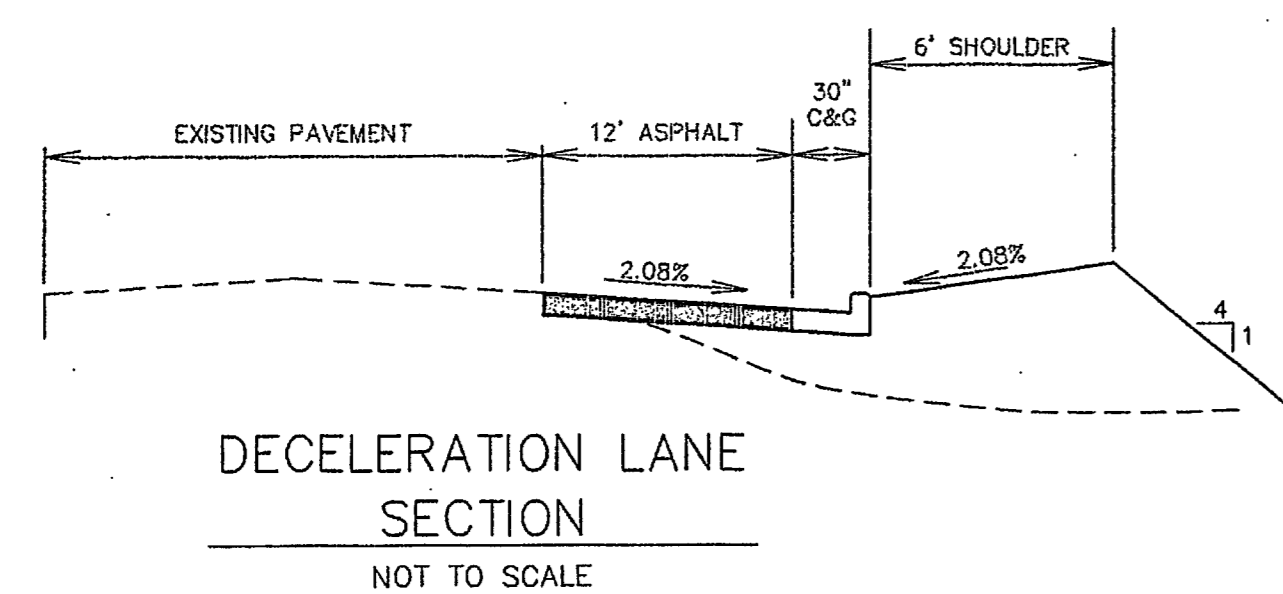
NO.	REVISIONS	DATE

SHEET NO.

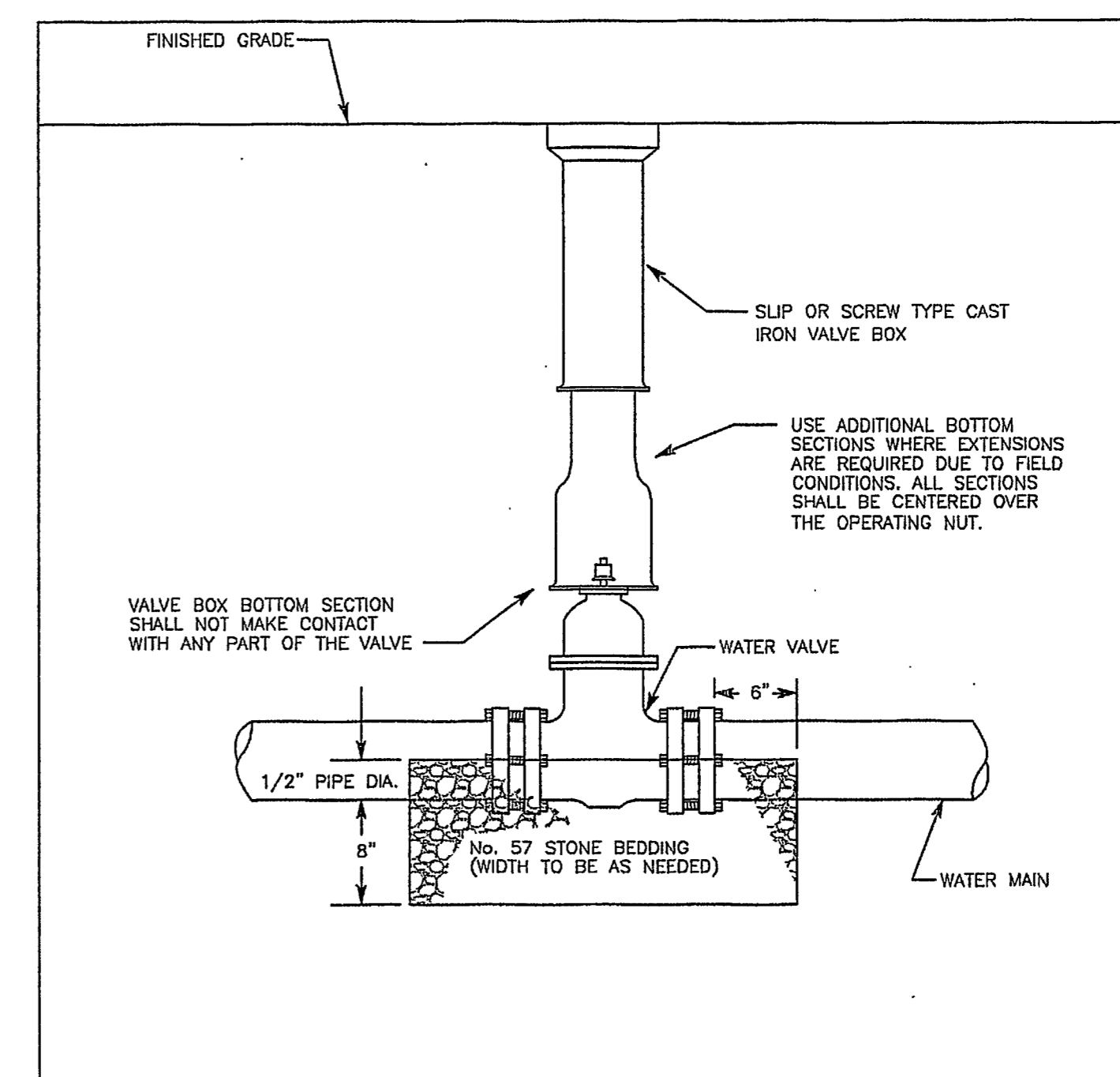
7

SHEET 7 OF 8

RELEASED FOR CONSTRUCTION
 FOR REVIEW ONLY

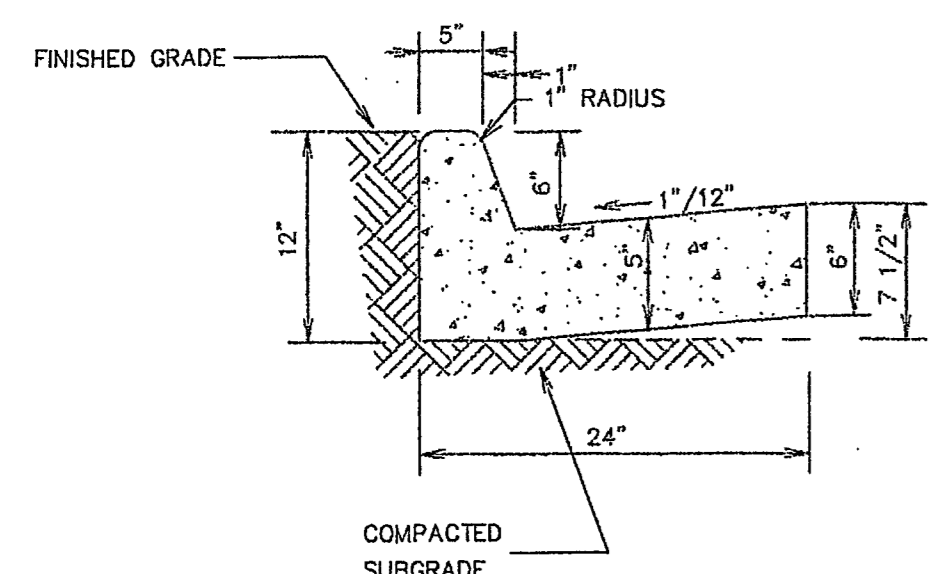


TYPICAL WATER METER BOX LID
CLAYTON COUNTY WATER AUTHORITY



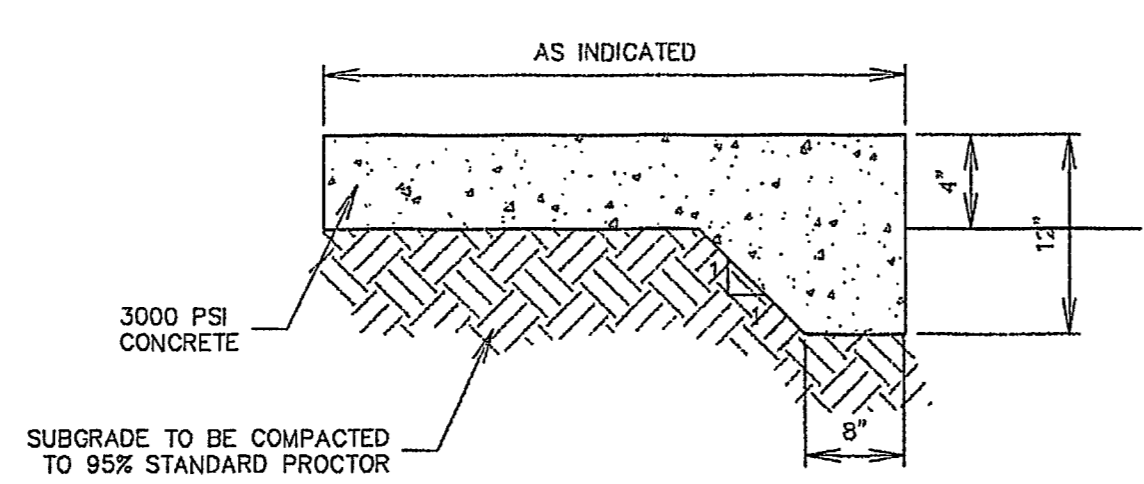
CLAYTON COUNTY WATER AUTHORITY

DATE:	6 SEPTEMBER 2001	DETAIL TITLE:	VALVE BOX	DETAIL NO.:	5
SCALE:	N.T.S.				
DRAWN BY:	SRD				

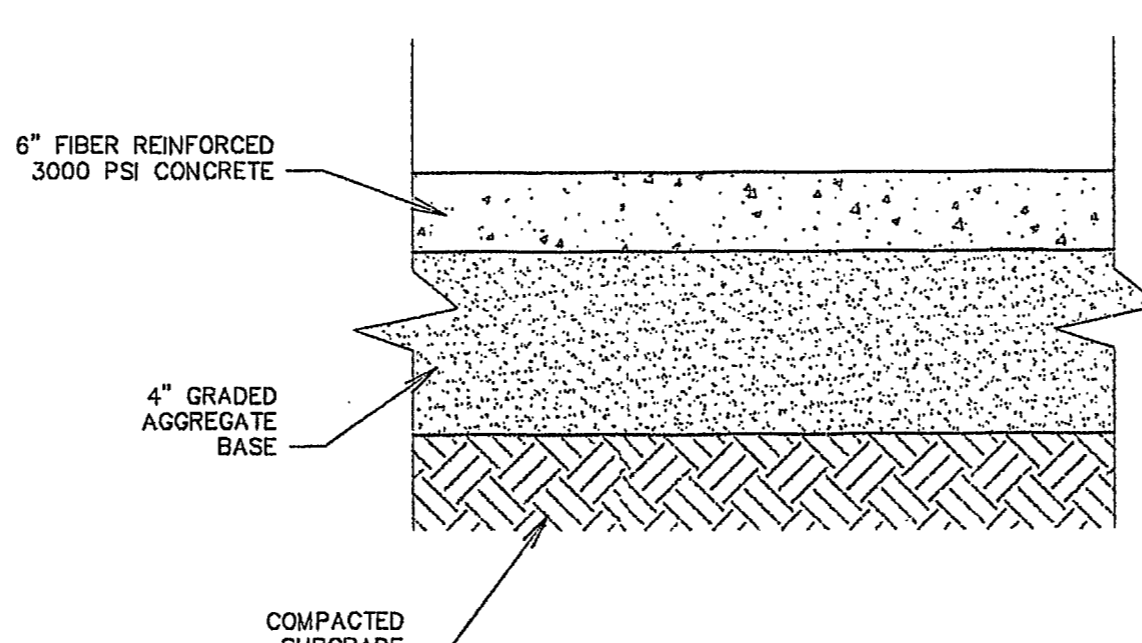


- NOTES:
- 1 1/2" PREFORMED EXPANSION JOINTS REQUIRED AT ALL STRUCTURES & CURB RETURNS.
 - MAXIMUM DISTANCE BETWEEN EXPANSION JOINTS = 40.0'.
 - DISTANCE BETWEEN CONTRACTION JOINTS = 10.0'. MIN. JOINT DEPTH = 1.5".
 - CONCRETE STRENGTH = 3000 PSI, SLUMP = 2", FINISH SHALL BE BROOM FINISHED TRANSVERSE TO THE LINE OF TRAFFIC.

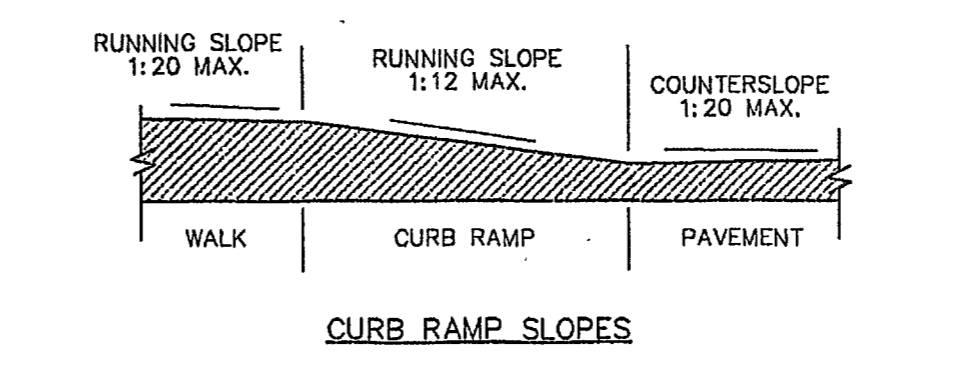
CURB AND GUTTER
NOT TO SCALE



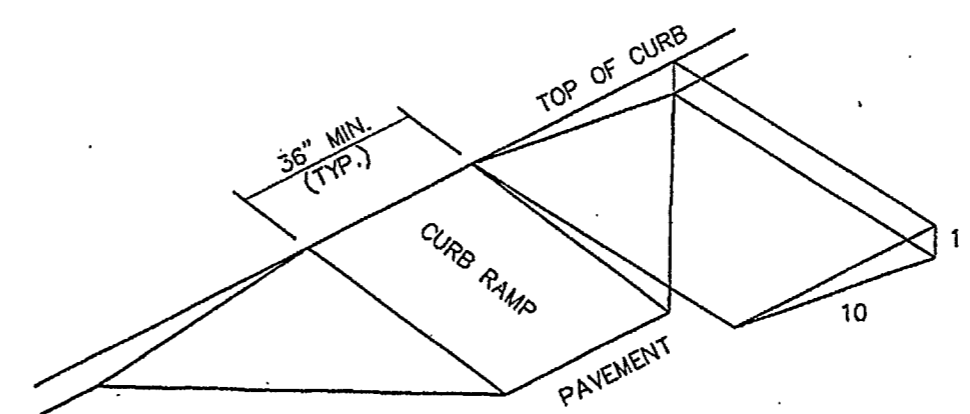
TURN DOWN SIDEWALK DETAIL
NOT TO SCALE



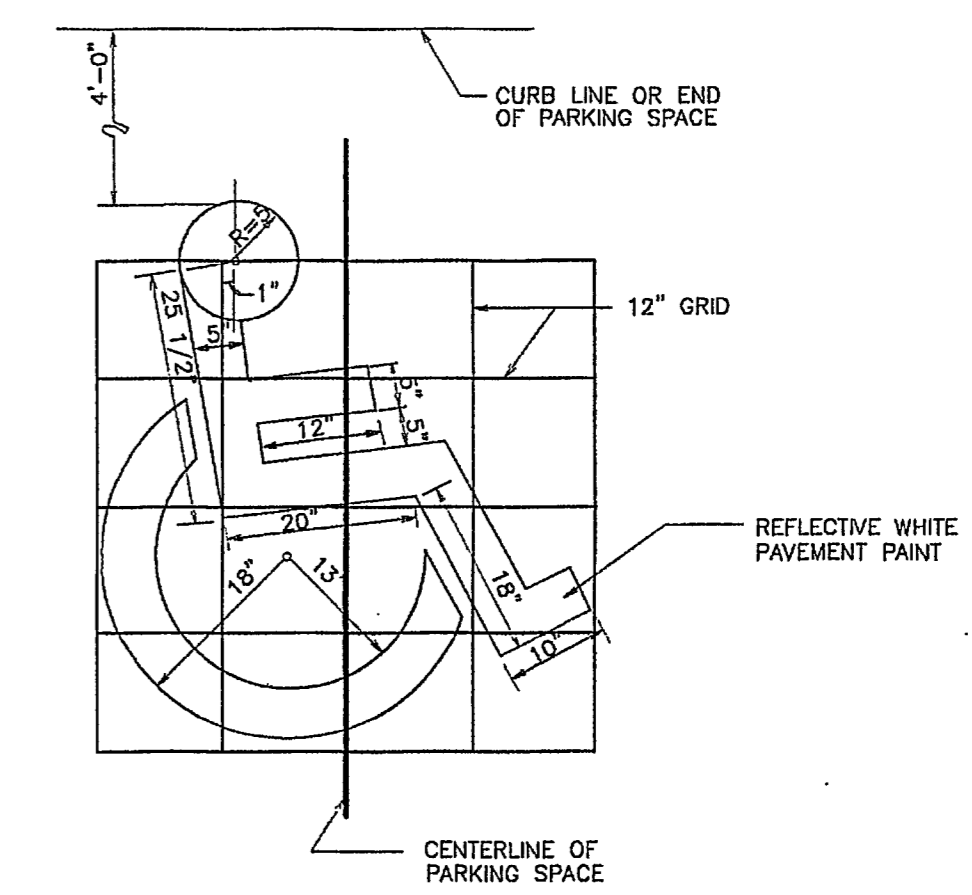
CONCRETE PAVEMENT SECTION
NOT TO SCALE



CURB RAMP SLOPES



CURB RAMP DETAIL
NOT TO SCALE



HANDICAP PARKING SYMBOL
NOT TO SCALE

BRUNDAGE ENGINEERING, INC.
 P.O. BOX 1926
 FAYETTEVILLE, GA. 30214
 770-719-0433

SITE DEVELOPMENT DRAWINGS FOR

PIT STOP

LOCATED IN
 L.L. 186
 OF THE 13th DISTRICT
 CLAYTON COUNTY,
 GEORGIA

DATE: JANUARY 18, 2005
 JOB NO.: 00027
 FILE NAME: PISTOP2rev6
 SCALE: 1" = 20'
 SHEET TITLE:

LANDSCAPE PLAN

PLANT LIST

SYM.	NO.	PLANT NAME	SIZE	SP.	TDUS
CM	6	GRAPE MYRTLE/LAGERSTROEMIA INDICA	2" CAL	-	13
NRS	6	NELLIE R. STEVENS HOLLY/ILEX NRS	2" CAL	10'	15
LC	6	LEYLAND CYPRESS/CUPRESSOCYPARIS L.	2" CAL	12'	13
PC	6	PURKII RED CEDAR/JUNIPERUS PURKII	2" CAL	12'	13
LP	6	LOBLOLLY PINES/PINUS TAEDA	2" CAL	12'	13
SW	6	SOURWOOD/OXYDENDRUM ARBOREUM	2" CAL	12'	13
WH	6	CHINESE WITCH HAZEL/HAMAMELIS	2" CAL	12'	13
YC	5	YOSHINO CHERRY/PRUNUS YEDDENSIS	2" CAL	12'	15

CANOPY TREES

RD	3	RIVER BIRCH/BETULA NIGRA	3" CAL	20'	12
RM	4	SOUTHERN RED MAPLE/ACER RUBRUM	3" CAL	25'	16
GM	4	OCTOBER GLORY MAPLE/ACER RUBRUM	3" CAL	25'	16
SM	4	SUNSET RED MAPLE/ACER RUBRUM	3" CAL	25'	16
WO	4	WILLOW OAK/QUERCUS PHELLOS	3" CAL	35'	16

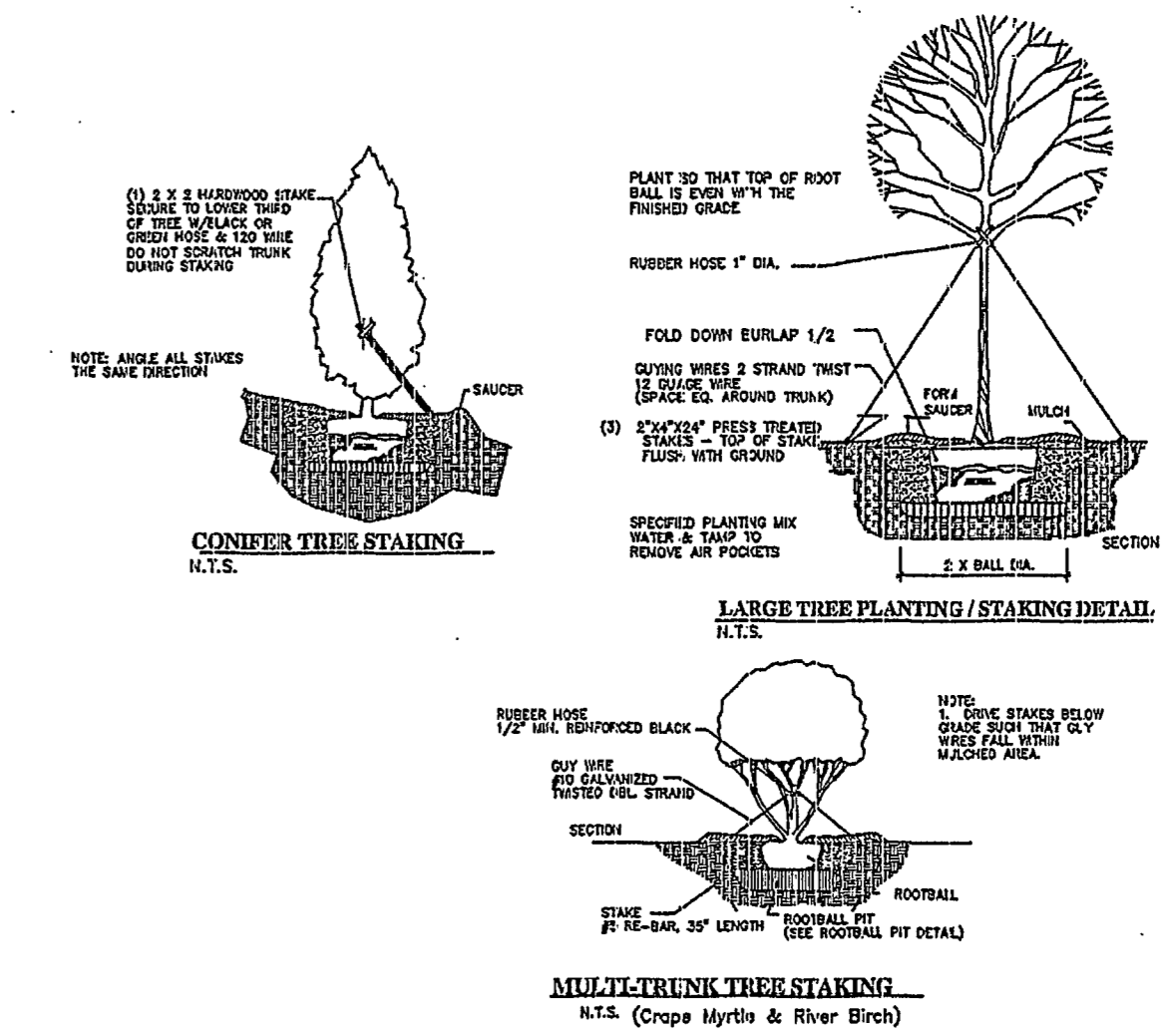
TOTAL TDUS = 214

SHRUBS

SYM.	NO.	PLANT NAME	SIZE	SP.
CH	33	CARISSA HOLLY/ILEX CORNUTA CARISSA	3 GAL	400
DB	34	DWF. BURFORDI HOLLY/ILEX C. BURFORDI	3 GAL	400
JB	10	JAPANESE BARBERRY/BERBERIS THUNBERGII	3 GAL	400
MG	22	MUSCANTHUS GRASS/SPECIES	3 GAL	600
PJ	130	PARSONS JUNIPER/JUNIPERUS DAURICA	3 GAL	400
R	51	COMPACTA HOLLY/ILEX GRENATA	3 GAL	4500
VP	50	VARIATED PRIVET/LIGUSTRUM SINENSE	3 GAL	4500
WM	33	WAX MYRTLE/MYRICA CERIFERA	3 GAL	4500

GRANDCOVERS

DL	110	DAYLILLY SPECIES	1 GAL.	24" OC
VL	19	VARIATED LIRIOPE	4" POTS	15" OC



LANDSCAPE REQUIREMENTS

SITE AREA = 1.42 ACRES
 Trees Required = 15 Units x 1.42 Acres = 21.3 Units Req'd.
 Trees Provided = 21.3 Units
 Existing steep topography and grading restraints make it unfeasible to save existing trees on site. All trees shown in plant list are replacement trees.

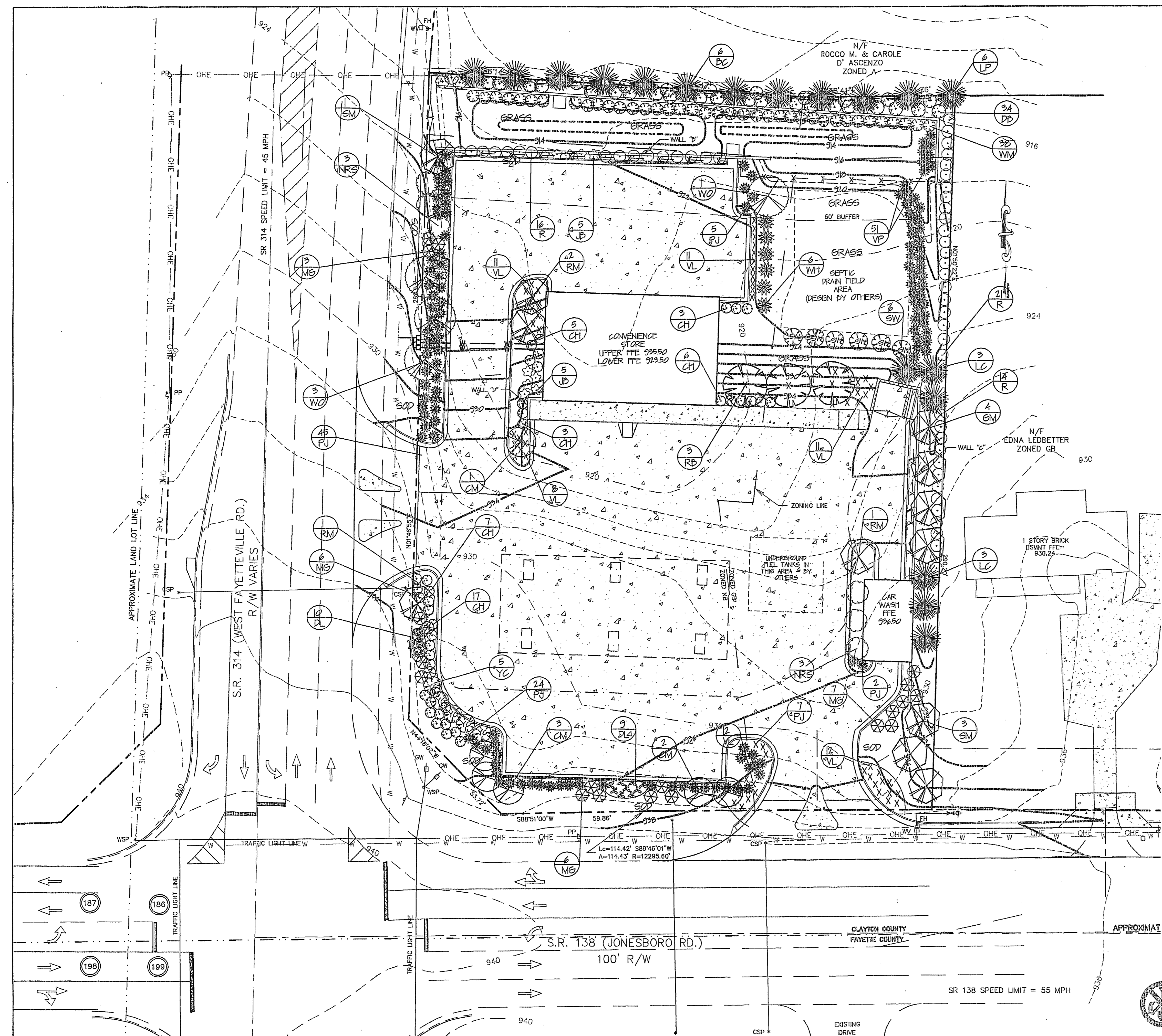
"Landscaping shown on this plan shall be maintained in compliance with the Clayton County Landscaping Ordinance"

Disturbed Area = 61,855 sf (1.42 Ac)
 Impervious Area = 31,844 sf (51% of site)
 L.S. Area = 30,011 sf (49% of site)

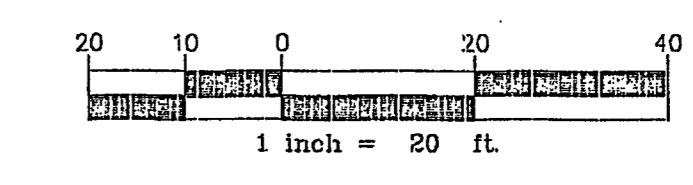
Paved Parking Area = 27,031 sf
 L.S. Islands = 6,460 sf
 (23.9% of Parking Area)

NO.	REVISIONS	DATE

SHEET NO. **8**
 SHEET 8 OF 8
 RELEASED FOR CONSTRUCTION
 FOR REVIEW ONLY



IF YOU DIG GEORGIA...
 CALL US FIRST!
 1-800-202-7411
 UTILITIES PROTECTION CENTER
 IT'S THE LAW



**BRUNDAGE
ENGINEERING, INC.**
P.O. BOX 1926
FAYETTEVILLE,
GA. 30214
770-719-0433

**SITE
DEVELOPMENT
DRAWINGS
FOR**

PIT STOP

LOCATED IN
L.L. 186
OF THE 13th DISTRICT
CLAYTON COUNTY,
GEORGIA

DATE: JANUARY 18, 2005
JOB NO.: 00027
FILE NAME: PITSTOP2
SCALE: 1" = 20'
SHEET TITLE:

**LANDSCAPE
PLAN**

PLANT LIST
TREES

SYM.	NO.	PLANT NAME	SIZE	SP.	TDUS
CM	6	GRAPE MYRTLE/LAGERSTROEMIA INDICA	2" CAL	-	13
NRS	6	NELLIE R. STEVENS HOLLY/LEX NRS	2" CAL	10'	15
LC	6	LEYLAND CYPRESS/UPRESSOCYPARIS L.	2" CAL	12'	13
PC	6	BURKII RED CEDAR/UNIFERUS BURKII	2" CAL	12'	13
LP	6	LOBLOLLY PINES/PINUS TAEDA	2" CAL	12'	13
SW	6	SOURWOOD/OXYDENDRUM ARBOREUM	2" CAL	12'	13
WH	6	CHINESE WITCH HAZEL/HAMAMELIS	2" CAL	12'	13
YC	5	YOSHINO CHERRY/FRUNUS YEDDENSIS	2" CAL	12'	15

CANOPY TREES

SYM.	NO.	PLANT NAME	SIZE	SP.	TDUS
RB	3	RIVER BIRCH/BETULA NIGRA	3" CAL	20'	12
RM	4	SOUTHERN RED MAPLE/ACER RUBRUM	3" CAL	25'	16
EM	4	OCTOBER GLORY MAPLE/ACER RUBRUM	3" CAL	25'	16
SM	4	SUNSET RED MAPLE/ACER RUBRUM	3" CAL	25'	16
WO	4	WILLOW OAK/QUERCUS PHELLOS	3" CAL	25'	16

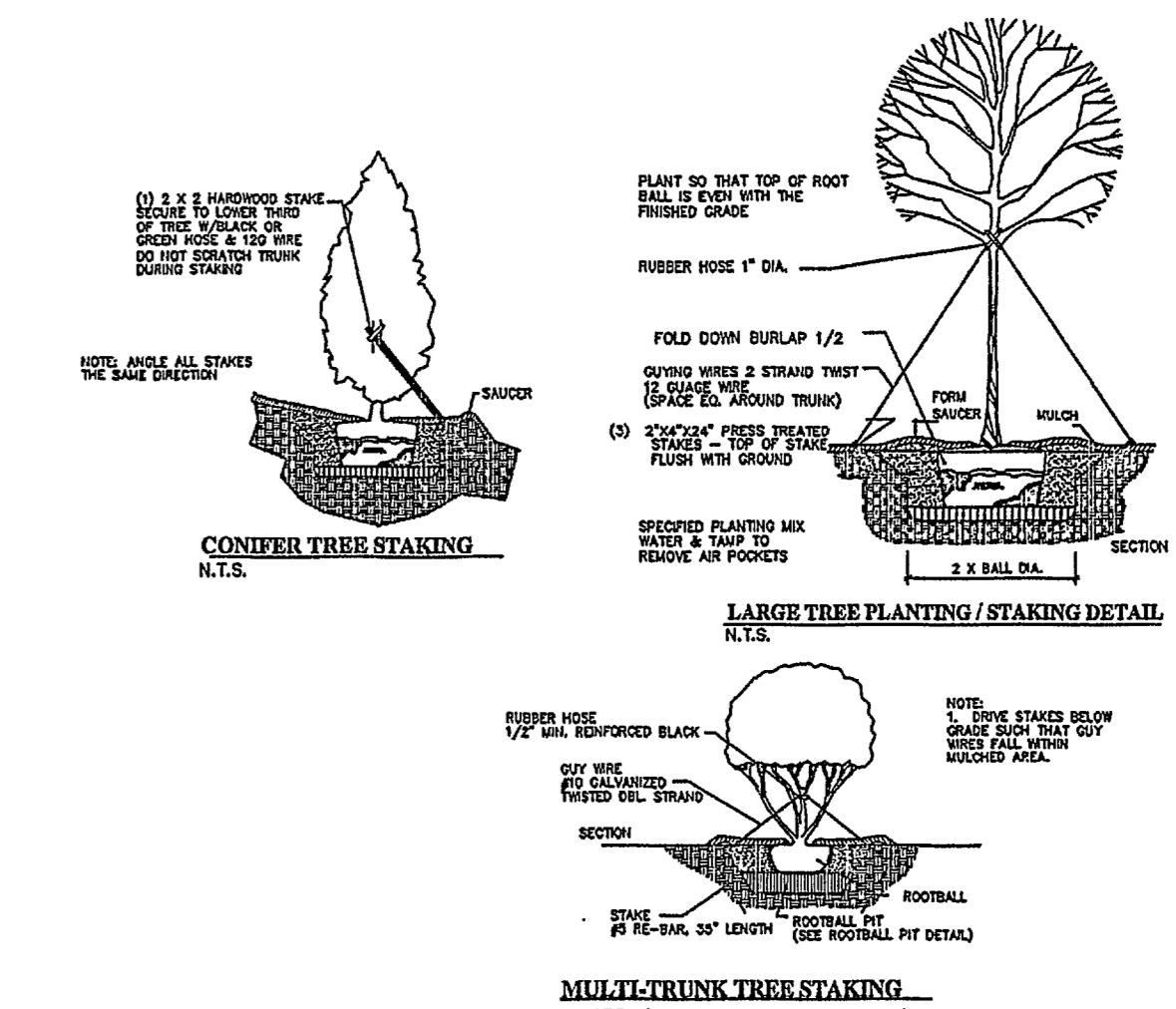
TOTAL TDUS = 214

SHRUBS

SYM.	NO.	PLANT NAME	SIZE	SP.	TDUS
CH	33	CARISSA HOLLY/LEX CORNUTA CARISSA	3 GAL	400	
DB	34	DWF. BURFORDI HOLLY/LEX C. BURFORDI	3 GAL	400	
JD	10	JAPANESE BARBERRY/BERBERIS THUNDERBOLT	3 GAL	400	
MG	22	MUSCANTHUS GRASS/SPECIES	3 GAL	600	
PJ	130	PARSONS JUNIPER/JUNIPERUS DAURICA	3 GAL	400	
R	51	COMPACTA HOLLY/LEX CRENATA	3 GAL	4500	
VP	50	VARIGATED PRIVET/LIGUSTRUM SINENSE	3 GAL	4500	
WM	33	WAX MYRTLE/MYRTICA CERIFERA	3 GAL	4500	

GROUNDCOVERS

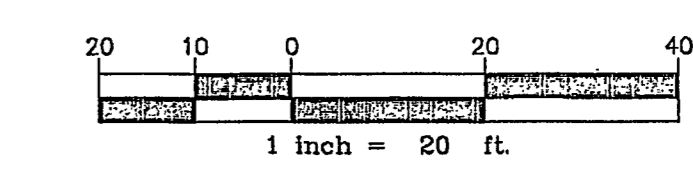
SYM.	NO.	PLANT NAME	SIZE	SP.	TDUS
DL	10	DAYLILLY SPECIES	1 GAL	24" OC	
VL	19	VARIGATED LIRIOPE	4" POTS	18" OC	



LANDSCAPE REQUIREMENTS
SITE AREA = 1.42 ACRES
Trees Required = 15 Units x 1.42 Acres = 21.3 Units Req'd.
Trees Provided = 21.3 Units
Existing steep topography and grading restraints make it unfeasible to save existing trees on site. All trees shown in plant list are replacement trees.
"Landscaping shown on this plan shall be maintained in compliance with the Clayton County Landscaping Ordinance"

Disturbed Area = 61,855 sf (1.42 Ac)
Impervious Area = 31,944 sf (51% of site)
L.S. Area = 30,011 sf (49% of site)
Paved Parking Area = 27,031 sf
L.S. Islands = 6,480 sf
(23.9% of Parking Area)

IF YOU DIG GEORGIA...
CALL US FIRST!
1-800-282-7411
UTILITIES PROTECTION CENTER
IT'S THE LAW



NO.	REVISIONS	DATE
1		

SHEET NO. **9**
SHEET 9 OF 9
 RELEASED FOR CONSTRUCTION
 FOR REVIEW ONLY

